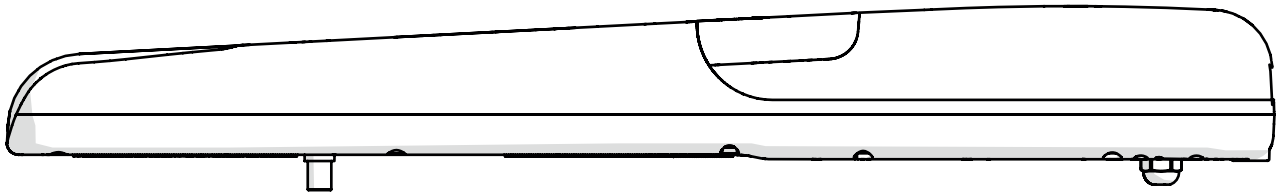




Instructions and warnings for installation and use
Istruzioni ed avvertenze per l'installazione e l'uso
Instructions et avertissements pour l'installation et l'usage
Anleitungen und Hinweise zu Installation und Einsatz
Instrucciones y advertencias para su instalación y uso
Instruções e advertências para a instalação e utilização
Instrukcje i zalecenia dotyczące instalacji i użytkowania



RAY

Linear gear motor for swing gates
Motoriduttore lineare per cancelli a battente
Motoréducteur linéaire pour portails à battants
Motorreductor lineal para cancelas batientes
Lineargetriebemotor für Drehtore
Motorreductor linear para portões de batente
Liniowy motoreduktor do bram skrzydłowych



Management
System
ISO 9001:2015

www.tuv.com
ID 9105043769

INDEX

1	Safety warnings	p. 3
2	Product overview	p. 4
2.1	Product description	p. 4
2.2	Models and characteristics	p. 4
3	Preliminary checks	p. 4
4	Installing the product	p. 5
4.1	Installation	p. 5
4.2	Installing the rear fixing bracket with inward opening	p. 5
4.3	Installing the front fixing bracket with inward opening	p. 5
4.4	Installing the rear fixing bracket with outward opening	p. 5
4.5	Installing the front fixing bracket with outward opening	p. 5
4.6	Installing the gear motor	p. 6
4.7	Electrical connections	p. 6
4.8	Setting of the mechanical limit switch while opening	p. 6
4.9	Led replacement - 24 Vdc	p. 6
5	Testing and commissioning	p. 6
5.1	Testing	p. 6
5.2	Commissioning	p. 6
6	Images	p. 37
7	CE Declaration of Conformity	p. 43

1 - SAFETY WARNINGS

ATTENTION !

ORIGINAL INSTRUCTIONS - important safety instructions. Follow the instructions since incorrect installation can lead to severe injury! Save these instructions.

Read the instructions carefully before proceeding with installation.

The design and manufacture of the devices making up the product and the information in this manual are compliant with current safety standards. However, incorrect installation or programming may cause serious injury to those working on or using the system. Compliance with the instructions provided here when installing the product is therefore extremely important.

If in any doubt regarding installation, do not proceed and contact the Key Automation Technical Service for clarifications.

Under European legislation, an automatic door or gate system must comply with the standards envisaged in the Directive 2006/42/EC (Machinery Directive) and in particular standards EN 12453; EN 12635 and EN 13241-1, which enable declaration of presumed conformity of the automation system.

Therefore, final connection of the automation system to the electrical mains, system testing, commissioning and routine maintenance must be performed by skilled, qualified personnel, in observance of the instructions in the "Testing and commissioning the automation system" section.

The aforesaid personnel are also responsible for the tests required to verify the solutions adopted according to the risks present, and for ensuring observance of all legal provisions, standards and regulations, with particular reference to all requirements of the EN 12453 standard which establishes the test methods for testing door and gate automation systems.

ATTENTION !

Before starting installation, perform the following checks and assessments:

ensure that every device used to set up the automation system is suited to the intended system overall. For this purpose, pay special attention to the data provided in the "Technical specifications" section. Do not proceed with installation if any one of these devices is not suitable for its intended purpose;

check that the devices purchased are sufficient to guarantee system safety and functionality;

perform a risk assessment, including a list of the essential safety requirements as envisaged in Annex I of the Machinery Directive, specifying the solutions adopted. The risk assessment is one of the documents included in the automation system's technical file. This must be compiled by a professional installer.

Considering the risk situations that may arise during installation phases and use of the product, the automation system must be installed in compliance with the following safety precautions:

never make modifications to any part of the automation system other than those specified in this manual. Operations of this type can only lead to malfunctions. The manufacturer declines all liability for damage caused by unauthorised modifications to products;

if the power cable is damaged, it must be replaced by the manufacturer or its after-sales service, or in all cases by a person with similar qualifications, to prevent all risks;

do not allow parts of the automation system to be immersed in water or other liquids. During installation ensure that no liquids are able to enter the various devices;

should this occur, disconnect the power supply immediately and contact a Key Automation Service Centre. Use of the automation system in these conditions may cause hazards;

never place automation system components near to sources of heat or expose them to naked lights. This may damage system components and cause malfunctions, fire or hazards;

ATTENTION !

The drive shall be disconnected from its power source during cleaning, maintenance and when replacing parts. If the disconnect device is not in a visible location, affix a notice stating: "MAINTENANCE IN PROGRESS":

connect all devices to an electric power line equipped with an earthing system;

the product cannot be considered to provide effective protection against intrusion. If effective protection is required, the automation system must be combined with other devices;

the product may not be used until the automation system "commissioning" procedure has been performed as specified in the "Automation system testing and commissioning" section;

the system power supply line must include a circuit breaker device with a contact gap allowing complete disconnection in the conditions specified by class III overvoltage;

use unions with IP55 or higher protection when connecting hoses, pipes or cable glands;

the electrical system upstream of the automation system must comply with the relevant regulations and be constructed to good workmanship standards;

this appliance can be used by children aged from 8 years and above and persons with reduced physical, sensory or mental capabilities or lack of experience and knowledge if they have been given supervision or instruction concerning use of the appliance in a safe way and understand the hazards involved;

before starting the automation system, ensure that there is no-one in the immediate vicinity;

before proceeding with any cleaning or maintenance work on the automation system, disconnect it from the electrical mains; special care must be taken to avoid crushing between the part operated by the automation system and any fixed parts around it; children must be supervised to ensure that they do not play with the equipment.

that the drive cannot be used with a driven part incorporating a wicket door unless the drive can only be operated with the wicket door in the safe position;

ATTENTION !

Frequently examine the installation for imbalance where applicable and signs of wear or damage to cables, springs and mounting. Do not use if repair or adjustment is necessary.

ATTENTION !

Packaging components (cardboard, plastic, etc.), duly separated, must be placed in the appropriate bins. Device components such as electronic boards, metal parts, batteries, etc. must be separated and differentiated. For the methods of disposal, the rules in force in the place of installation must be applied. DO NOT DISPOSE IN THE ENVIRONMENT!



KEY AUTOMATION S.r.l. reserves the right to amend these instructions if necessary; they and/or any more recent versions are available at www.keyautomation.com

2 - PRODUCT OVERVIEW

2.1 - Description of the product

RAY gear motors are destined to be installed in systems for the automation of gates with hinged doors.
RAY gear motors have been designed and constructed to be fitted onto hinged doors within the weight limits indicated in the technical

specifications table.
The use of gear motors for applications which differ from those indicated above is prohibited.

2.2 - Model and technical characteristics

CODE	DESCRIPTION
RAY2524	Gear motor for hinged doors with max length 3 m or max weight 500 kg, 24 Vdc
RAY4024E	Gear motor for hinged doors with max length 4 m or max weight 600 kg with encoder, 24 Vdc
RAY4224E	Gear motor for hinged doors with max length 4 m or max weight 600 kg with encoder, 24 Vdc
RAY40	Gear motor for hinged doors with max length 4 m or max weight 600 kg, 230 Vac
RAY40L	Gear motor for hinged doors with max length 4 m or max weight 600 kg, 230 Vac, slow
RAY2224	Gear motor for hinged doors with max length 3 m or max weight 300 kg, 24 Vdc
RAY4024R	Gear motor for hinged doors with max length 4 m or max weight 500 kg, 24 Vdc, reversible
RAY3024F	Gear motor for hinged doors with max length 3 m or max weight 300 kg, 24 Vdc with encoder, fast

TECHNICAL DATA	MODEL							
	RAY2524	RAY4024 RAY4024E	RAY4224E	RAY40	RAY40L	RAY2224	RAY4024R	RAY3024F
Speed	2,6 cm/s	1,5 cm/s	1,5 cm/s	1,6 cm/s	1 cm/s	2,6 cm/s	3 cm/s	3,8 cm/s
Thrust force	1500 N	2000 N	2000 N	2000 N	1800 N	1500 N	1000 N	1000 N
Cycle/hour *	40	40	40	25	16	40	40	40
Opening time at 90°	18-25**	20-25**	20-25**	20-25**	32-40**	18-25**	15-20**	10-15**
Working stroke	415 mm							
Control board	14AB	14AB2	CT20324	CT202	CT202	CT20324	14AB2	14AB2F
Power supply	24 Vdc	24 Vdc	24 Vdc	230 Vac 50/60 Hz		24 Vdc		
Absorption	3,5 A	5 A	5 A	1,2 A	1,3 A	3,5 A	5 A	5 A
Engine power	85 W	120 W	120 W	280 W	300 W	85 W	120 W	120 W
Capacitor	-	-	-	8 µF	8 µF	-	-	-
Thermoprotection	-	-	-	150 °C	150 °C	-	-	-
Integrated lights	si	si	no	-	-	-	si	si
Degree of protection	IP44							
Dimensions (L - P - H)	844-100-104 mm							
Weight	6 kg	8 kg	8 kg	8 kg	8 kg	6 kg	8 kg	8 kg
Operating temperature	-20°+55°C							
Noise emission level	≤ 70dB(A)							

* with non-panelled door at a temperature of 20°C

** with optimized fixing dimensions

3 - PRELIMINARY CHECKS

Before installing this product, verify and check the following steps:

- Check that the gate or door are suitable for automation
- The weight and size of the gate or door must be within the maximum permissible operating limits specified in Fig. 2
- Check the presence and strength of the security mechanical stops of the gate or door
- Check that the mounting area of the product is not subject to flooding
- Conditions of high acidity or salinity or proximity to heat sources could cause malfunction of the product
- Extreme weather conditions (for example the presence of snow, ice, high temperature range, high temperatures) may increase the friction and therefore the force required for the handling and initial

starting point may be higher than under normal conditions.

- Check that the manual operation of gate or door is smooth and friction-free and there is no risk of derailment of the same
- Check that the gate or door are in equilibrium and stationary if left in any position
- Check that the power line to supply the product is equipped with proper grounding safety and protected by a magnetothermal and differential security device
- Provide the power system with a disconnecting device with a gap of contacts enabling full disconnection under the conditions dictated by the overvoltage category III.
- Ensure that all materials used for the installation comply with current regulations

4 - PRODUCT INSTALLATION

4.1 - Installation

⚠ ATTENTION !

The installer must verify that the working temperature range stated on the automation device is suitable for the location where it is installed.

⚠ ATTENTION !

The automation system must be equipped with a pressure-sensitive edge protecting all possible crushing points (hands, feet, etc.) in accordance with the requirements of the EN 13241-1 standard.

⚠ ATTENTION !

The gate must have limit stops in the open and closed positions which prevent it from travelling over the permitted limits.

Before proceeding with the installation, check the integrity of the product and that all components are present in the package (Fig. 3). Also make sure that the mounting area of the gear motor is Also check that the gearmotor's installation zone is compatible with its overall dimensions (Fig.1).

Check the opening angle permitted by the bracket fixing points using the graph in Fig.4 for inward opening. For outward opening, refer to the graph in Fig.4.1.

Fig.6 shows a typical installation:

Gear motors (1)
Photocells (2)
Columns for photocells (3)
Flashing light with antenna (4)
Key switch or digital keypad (5)
Control unit (6)
Pressure-sensitive edge (7)

4.2 - Installing the rear fixing bracket with inward opening

The fixing position of the rear bracket is determined according to the graph (Fig. 4).

Important: installations where the values of "A" and "B" (Fig. 4) are as similar to each other as possible are preferred (l.o.= optimal line). Identify dimension C found and trace a horizontal line that determines the value of dimension B (*) as shown in the example of fig. 4b; the meeting point with line "l.o." (optimal line) determines the value of the angle of maximum opening; from this point, trace a vertical line as shown in the example of fig. 4b to determine the

value of dimension A.

If the angle found does not correspond to the requirements, adapt dimension A and if necessary dimension B, so they are similar.

(*) Do not use values of dimension B below the line "l.s."

If necessary, cut the rear bracket (Fig. 7) to obtain the value "B", then weld the fixing bracket to the wall.

Secure the bracket to the wall using welding, screws or bolts (not included).

4.3 - Installing the front fixing bracket with inward opening

The front bracket must be fixed to the door according to dimension "E" of Table 1 (Fig.5).

Note: If you mount the closing limit switch, reduce the value "E" of

40 mm.

The front bracket must be fixed as the same height as the rear bracket (Fig.8).

4.4 - Installing the rear fixing bracket with outward opening

The EXRB accessory is required for outward opening. Measure distance "C1". If distance "C1" is 130 mm or less, refer to Fig. 5.1A; if it is more than 130 mm, refer to Fig 5.1B.

To establish distance "B1" draw a horizontal line from the value of distance "C1" (Fig.4.1); the point where the areas of the graph meet

provides the possible values of point "A1".

After fastening the rear fixing bracket to the wall, screw on the optional brackets EXRB as shown in Fig. 5.1A or Fig. 5.1B.

4.5 - Installing the front fixing bracket with outward opening

The front bracket must be fixed to the leaf in accordance with distances "E1" (Tab.2, Fig.5.1) and must be fixed at the same height as

the rear bracket (Fig.8).

4.6 - Installing the gear motor

Open the release door and remove the 2 screws that secure the rear cover (Fig. 9A).
Remove the top cover first sliding it slightly backward (Fig. 9A)
Place the gear motor against the rear bracket and insert the fixing screw (Fig.9B).

Insert the pin of the sliding bracket into the bush of the front bracket and secure it with the screw and washer provided (Fig.9C).
Tighten without applying too much force, using the nut and washer of the screw of the rear bracket fitted earlier (Fig.9D).

4.7 - Electrical connections

Loosen the cable gland and insert the power cord (Fig.13).
connect the wires of the power cable to the terminal block according to the wiring diagram (Fig.14).
Screw the cable gland.

Replace the top cover, first sliding it slightly forward.
Open the door and tighten the 2 screws that secure the rear cover.

4.8 - Setting of the mechanical limit switch while opening

Release the gear motor (Fig.11).
Loosen the screw on the mechanical limit switch until it is able to slide.
Open the door manually to the point of desired opening.
Bring the mechanical limit switch up to pin of the slide bracket and secure it with the screw (Fig.12).

If you need to also adjust the mechanical limit switch in closing (optional FCRAV), repeat the same procedure, this time manually bringing the door to the point of closure you want.
N.B. The working travel stroke is reduced by 40 mm for every limit switch installed.

4.9 - Replacement of the leds - 24 Vdc

Turn off the power supply.
With the help of a screwdriver remove the lower screw (Fig.15a).
Remove the cover and the LED strip (Fig.15a).
Disconnect the connector (Fig.15b).

Connect the new LEDs and insert them into the mask.
Insert the mask first inserting the side of the seal and then securing it with the screw.

5- TESTING AND COMMISSIONING THE AUTOMATION

The testing of the system must be performed by qualified technicians who must perform the tests required by relevant legislation related to risks, ensuring compliance with the provisions of the regulations, in

particular the EN 12453 standard, which specifies the testing methods for the automation of doors and gates.

5.1 Testing

All system components must be tested following the procedures outlined in the respective instruction manuals.

Check that they meet the guidelines in Chapter 1 - Safety warnings
Check that the gate or door can move freely once the automation is unlocked, and that they are in equilibrium and stationary if left in any position.

Check the correct operation of all connected devices (photocells,

sensitive edges, emergency buttons, etc.), testing the opening, closing and stopping of the gate or door via the connected control devices (transmitters, buttons, switches).

Carry out measurements of the impact force, as prescribed by standard EN 12453 adjusting the functions of speed, motor force and deceleration of the unit if the measurements do not give the desired results until you find the right setting.

5.2 Commissioning

Following the successful testing of all (and not just some) devices in the system you can proceed with the commissioning.

You must prepare, and keep for 10 years, the technical file of the system with the wiring diagram, drawing or photo of the system, risks analysis and solutions adopted, manufacturer declaration of conformity of all devices connected, instruction manual of each device and maintenance schedule of the system.

Fix on the gate or door a plaque indicating the automation data, the name of the person responsible for the commissioning, the serial number and year of construction, the CE mark.

Attach a plaque indicating the steps required to manually unlock the system.

Implement and deliver to the end user the declaration of conformity, the instructions and warnings for use for the end user and the maintenance schedule of the system.

Make sure the user understands proper automatic, manual and emergency operation of the automation.

Inform the end user in writing of the dangers and risks still present.

INDICE

1	Avvertenze per la sicurezza	pag. 8
2	Introduzione al prodotto	pag. 9
2.1	Descrizione del prodotto	pag. 9
2.2	Modello e caratteristiche tecniche	pag. 9
3	Verifiche preliminari	pag. 9
4	Installazione del prodotto	pag. 10
4.1	Installazione	pag. 10
4.2	Installazione staffa di fissaggio posteriore con apertura verso l'interno	pag. 10
4.3	Installazione staffa di fissaggio anteriore con apertura verso l'interno	pag. 10
4.4	Installazione staffa di fissaggio posteriore con apertura verso l'esterno	pag. 10
4.5	Installazione staffa di fissaggio anteriore con apertura verso l'esterno	pag. 10
4.6	Installazione del motoriduttore	pag. 11
4.7	Connessioni elettriche	pag. 11
4.8	Regolazione del fine corsa meccanico in apertura	pag. 11
4.9	Sostituzione led - 24 Vdc	pag. 11
5	Collaudo e messa in servizio	pag. 11
5.1	Collaudo	pag. 11
5.2	Messa in servizio	pag. 11
6	Immagini	pag. 37
7	Dichiarazione CE di conformità	pag. 43

1-AVVERTENZE PER LA SICUREZZA

ATTENZIONE !

ISTRUZIONI ORIGINALI – importanti istruzioni di sicurezza. Seguire tutte le istruzioni perché una scorretta installazione può portare a lesioni gravi! Conservare queste istruzioni.
Leggere attentamente le istruzioni prima di eseguire l'installazione.

La progettazione e la fabbricazione dei dispositivi che compongono il prodotto e le informazioni contenute nel presente manuale rispettano le normative vigenti sulla sicurezza. Ciò nonostante un'installazione e una programmazione errata possono causare gravi ferite alle persone che eseguono il lavoro e a quelle che useranno l'impianto. Per questo motivo, durante l'installazione, è importante seguire attentamente tutte le istruzioni riportate in questo manuale.

Non procedere con l'installazione se si hanno dubbi di qualunque natura e richiedere eventuali chiarimenti al Servizio Assistenza Key Automation.

Per la legislazione Europea la realizzazione di una porta automatica o un cancello automatico deve rispettare le norme previste dalla Direttiva 2006/42/CE (Direttiva Macchine) e in particolare, le norme EN 12453; EN 12635 e EN 13241-1, che consentono di dichiarare la conformità dell'automazione.

In considerazione di ciò, il collegamento definitivo dell'automatismo alla rete elettrica, il collaudo dell'impianto, la sua messa in servizio e la manutenzione periodica devono essere eseguiti da personale qualificato ed esperto, rispettando le istruzioni riportate nel riquadro "Collaudo e messa in servizio dell'automazione".

Inoltre, egli dovrà farsi carico di stabilire anche le prove previste in funzione dei rischi presenti e dovrà verificare il rispetto di quanto previsto da leggi, normative e regolamenti: in particolare, il rispetto di tutti i requisiti della norma EN 12453 che stabilisce i metodi di prova per la verifica degli automatismi per porte e cancelli.

ATTENZIONE !

Prima di iniziare l'installazione, effettuare le seguenti analisi e verifiche:

verificare che i singoli dispositivi destinati all'automazione siano adatti all'impianto da realizzare. Al riguardo, controllare con particolare attenzione i dati riportati nel capitolo "Caratteristiche tecniche". Non effettuare l'installazione se anche uno solo di questi dispositivi non è adatto all'uso;

verificare se i dispositivi acquistati sono sufficienti a garantire la sicurezza dell'impianto e la sua funzionalità;

eseguire l'analisi dei rischi che deve comprendere anche l'elenco dei requisiti essenziali di sicurezza riportati nell'Allegato I della Direttiva Macchine, indicando le soluzioni adottate. L'analisi dei rischi è uno dei documenti che costituiscono il fascicolo tecnico dell'automazione. Questo dev'essere compilato da un installatore professionista.

Considerando le situazioni di rischio che possono verificarsi durante le fasi di installazione e di uso del prodotto è necessario installare l'automazione osservando le seguenti avvertenze:

non eseguire modifiche su nessuna parte dell'automatismo se non quelle previste nel presente manuale. Operazioni di questo tipo possono solo causare malfunzionamenti. Il costruttore declina ogni responsabilità per danni derivanti da prodotti modificati arbitrariamente;

evitare che le parti dei componenti dell'automazione possano venire immerse in acqua o in altre sostanze liquide. Durante l'installazione evitare che i liquidi possano penetrare all'interno dei dispositivi presenti;

se il cavo di alimentazione risulta danneggiato esso deve essere sostituito dal costruttore o dal suo servizio di assistenza tecnica o comunque da una persona con qualifica simile in modo da prevenire ogni rischio;

se sostanze liquide penetrano all'interno delle parti dei componenti dell'automazione, scollegare immediatamente l'alimentazione elettrica

e rivolgersi al Servizio Assistenza Key Automation. L'utilizzo dell'automazione in tali condizioni può causare situazioni di pericolo;

non mettere i vari componenti dell'automazione vicino a fonti di calore né esporli a fiamme libere. Tali azioni possono danneggiarli ed essere causa di malfunzionamenti, incendio o situazioni di pericolo;

ATTENZIONE !

L'unità deve essere scollegata dalla fonte di alimentazione durante la pulizia, la manutenzione e la sostituzione di componenti. Se il dispositivo di sconnessione non è a vista, apporre un cartello con la seguente dicitura: "MANUTENZIONE IN CORSO";

tutti i dispositivi devono essere collegati ad una linea di alimentazione elettrica dotata di messa a terra di sicurezza;

il prodotto non può essere considerato un efficace sistema di protezione contro l'intrusione. Se desiderate proteggervi efficacemente, è necessario integrare l'automazione con altri dispositivi;

il prodotto può essere utilizzato esclusivamente dopo che è stata effettuata la "messa in servizio" dell'automazione, come previsto nel paragrafo "Collaudo e messa in servizio dell'automazione";

prevedere nella rete di alimentazione dell'impianto un dispositivo di disconnessione con una distanza di apertura dei contatti che consenta la disconnessione completa nelle condizioni dettate dalla categoria di sovratensione III;

per la connessione di tubi rigidi e flessibili o passacavi utilizzare raccordi conformi al grado di protezione IP55 o superiore;

l'impianto elettrico a monte dell'automazione deve rispondere alle vigenti normative ed essere eseguito a regola d'arte;

l'apparecchio può essere utilizzato da bambini di età non inferiore a 8 anni e da persone con ridotte capacità fisiche, sensoriali o mentali, o prive di esperienza o della necessaria consapevolezza, purché sotto sorveglianza oppure dopo che le stesse abbiano ricevuto istruzioni relative all'uso sicuro dell'apparecchio e alla comprensione dei pericoli ad esso inerenti;

prima di avviare l'automazione assicurarsi che le persone non siano nelle immediate vicinanze;
prima di procedere a qualsiasi operazione di pulizia e manutenzione dell'automazione eseguire la disconnessione dalla rete elettrica;
fare particolare attenzione per evitare lo schiacciamento tra la parte guidata ed eventuali elementi fissi circostanti;
i bambini devono essere sorvegliati per sincerarsi che non giochino con l'apparecchio.

l'apparecchio non può essere utilizzato con una porta guidata che incorpora una porte pedonale.

ATTENZIONE !

Esaminare periodicamente l'impianto per verificare la presenza di sbilanciamenti e segni di usura meccanica, danneggiamento di cavi, molle, parti di sostegno. Non utilizzare se è necessaria riparazione o regolazione.

ATTENZIONE !

Componenti dell'imballo (cartone, plastica, ecc.), debitamente separati, devono essere conferiti negli appositi cassonetti. I componenti del dispositivo come schede elettroniche, parti metalliche, batterie, ecc., vanno separati e differenziati. Per le modalità di smaltimento devono essere applicate le regole vigenti nel luogo d'installazione. NON DISPERDERE NELL'AMBIENTE!



KEY AUTOMATION S.r.l. si riserva il diritto di modificare le presenti istruzioni qualora necessario, queste e/o versione superiore si possono trovare sul sito www.keyautomation.com

2 - INTRODUZIONE AL PRODOTTO

2.1 - Descrizione del prodotto

I motoriduttori RAY sono destinati all'installazione in impianti di automazione per cancelli con ante battenti.
I motoriduttori RAY sono progettati e costruiti per il montaggio su ante battenti nei limiti di peso riportati nella tabella delle specifiche

tecniche.
E' vietato l'utilizzo dei motoriduttori per applicazioni differenti da quelle sopra indicate.

2.2 - Modello e caratteristiche tecniche

CODICE	DESCRIZIONE
RAY2524	Motoriduttore per ante a battente con lunghezza max 3 m o peso max 500 kg, 24 Vdc
RAY4024E	Motoriduttore per ante a battente con lunghezza max 4 m o peso max 600 kg con encoder, 24 Vdc
RAY4224E	Motoriduttore per ante a battente con lunghezza max 4 m o peso max 600 kg con encoder, 24 Vdc
RAY40	Motoriduttore per ante a battente con lunghezza max 4 m o peso max 600 kg, 230 Vac
RAY40L	Motoriduttore per ante a battente con lunghezza max 4 m o peso max 600 kg, 230 Vac, lento
RAY2224	Motoriduttore per ante a battente con lunghezza max 3 m o peso max 300 kg, 24 Vdc
RAY4024R	Motoriduttore per ante a battente con lunghezza max 4 m o peso max 500 kg, 24 Vdc, reversibile
RAY3024F	Motoriduttore per ante a battente con lunghezza massima 3 m o peso max 300 kg, motore 24 Vdc con encoder, veloce

DATI TECNICI	MODELLO							
	RAY2524	RAY4024 RAY4024E	RAY4224E	RAY40	RAY40L	RAY2224	RAY4024R	RAY3024F
Velocità	2,6 cm/s	1,5 cm/s	1,5 cm/s	1,6 cm/s	1 cm/s	2,6 cm/s	3 cm/s	3,8 cm/s
Forza di spinta	1500 N	2000 N	2000 N	2000 N	1800 N	1500 N	1000 N	1000 N
Cicli/ora *	40	40	40	25	16	40	40	40
Tempo di apertura a 90°	18-25**	20-25**	20-25**	20-25**	32-40**	18-25**	15-20**	10-15**
Corsa utile	415 mm							
Centrale di comando	14AB	14AB2	CT20324	CT202	CT202	CT20324	14AB2	14AB2F
Alimentazione	24 Vdc	24 Vdc	24 Vdc	230 Vac 50/60 Hz		24 Vdc		
Assorbimento motore	3,5 A	5 A	5 A	1,2 A	1,3 A	3,5 A	5 A	5 A
Potenza assorbita	85 W	120 W	120 W	280 W	300 W	85 W	120 W	120 W
Condensatore	-	-	-	8 µF	8 µF	-	-	-
Termoprotezione	-	-	-	150 °C	150 °C	-	-	-
Luce integrata	si	si	no	-	-	-	si	si
Grado di protezione	IP44							
Dimensioni (L - P - H)	844-100-104 mm							
Peso	6 kg	8 kg	8 kg	8 kg	8 kg	6 kg	8 kg	8 kg
Temperatura di esercizio	-20°+55°C							
Livello emissione sonora	≤ 70dB(A)							

* con anta non pannellata alla temperatura di 20°C

** con quote di installazione ottimali

3-VERIFICHE PRELIMINARI

Prima di installare il prodotto verificare e controllare i seguenti punti:

- Controllare che il cancello o la porta siano adatti ad essere automatizzati
- Il peso e la dimensione del cancello o della porta devono rientrare nei limiti d'impiego massimi consentiti indicati in Fig.2
- Controllare la presenza e la solidità degli arresti meccanici di sicurezza del cancello o della porta
- Verificare che la zona di fissaggio del prodotto non sia soggetta ad allagamenti
- Condizioni di elevata acidità o salinità o la vicinanza a fonti di calore potrebbero causare malfunzionamenti del prodotto
- In caso di condizioni climatiche estreme (per esempio in presenza di neve, ghiaccio, elevata escursione termica, temperature elevate) gli attriti potrebbero aumentare e quindi la forza necessaria per

la movimentazione e lo spunto iniziale potrebbe essere superiori a quella necessaria in condizioni normali.

- Controllare che la movimentazione manuale del cancello o della porta sia fluida e priva di zone di maggiore attrito o vi sia rischio di deragliamento dello stesso
- Controllare che il cancello o la porta siano in equilibrio e rimangano quindi fermi se lasciati in qualsiasi posizione
- Verificare che la linea elettrica a cui sarà collegato il prodotto sia provvista di opportuna messa a terra di sicurezza e protetta da un dispositivo magnetotermico e differenziale
- Prevedere nella rete di alimentazione dell'impianto un dispositivo di disconnessione con una distanza di apertura dei contatti che consenta la disconnessione completa nelle condizioni dettate dalla categoria di sovratensione III.
- Verificare che tutto il materiale utilizzato per l'installazione sia conforme alle normative vigenti

4-INSTALLAZIONE DEL PRODOTTO

4.1 - Installazione

⚠ ATTENZIONE !

L'installatore deve verificare che il range di temperature riportato sul dispositivo di automazione sia adatto per la posizione in cui lo si deve installare.

⚠ ATTENZIONE !

L'automazione deve essere necessariamente dotata di un bordo sensibile a protezione di tutti i punti di possibile schiacciamento (mani, piedi...) nel rispetto dei requisiti previsti dalla norma EN 13241-1.

⚠ ATTENZIONE !

Il cancello deve essere dotato di fermi di arresto in apertura e in chiusura che impediscano l'extracorsa del cancello stesso.

Prima di procedere con l'installazione, verificare l'integrità del prodotto e che tutti i componenti siano presenti nella confezione (Fig.3). Verificare inoltre che la zona di fissaggio del motoriduttore sia compatibile con le dimensioni di ingombro (Fig.1).

Verificare l'angolo di apertura, consentito in base ai punti di fissaggio delle staffe, tramite il grafico in Fig.4 per l'apertura verso l'interno. Nel caso di apertura verso l'esterno fare riferimento al grafico in Fig.4.1.

In Fig.6 è rappresentato un esempio di installazione tipica:

Motoriduttori (1)
Fotocellule (2)
Colonnine per fotocellule (3)
Lampeggiante con antenna incorporata (4)
Selettore a chiave o tastiera digitale (5)
Centrale di comando (6)
Bordo sensibile (7)

4.2 - Installazione staffa di fissaggio posteriore con apertura verso l'interno

La posizione di fissaggio della staffa posteriore viene determinata in base al grafico (Fig.4a).

Importante: sono da preferire quelle installazioni in cui valori di "A" e "B" (Fig.4a) siano il più possibile simili tra loro (l.o.=linea ottimale). Individuare la quota C trovata e tracciare una linea orizzontale che determina il valore della quota B(*), come mostrato nell'esempio di fig.4b; il punto d'incrocio con la linea "l.o." (linea ottimale) determina il valore dell'angolo di apertura; da questo punto, tracciare una linea verticale come mostrato nell'esempio di fig.4b per determinare il valore della quota A.

Se l'angolo trovato non corrisponde alle proprie esigenze, occorre adeguare la quota A ed eventualmente la quota B, in modo che siano simili tra loro.

(* Si consiglia di non utilizzare valori della quota B al di sotto della linea "l.s."

Se necessario, tagliare la staffa posteriore (Fig.7) fino ad ottenere il valore "B", dopodiché saldarla alla staffa di fissaggio a muro.

Fissare infine la staffa di fissaggio a muro tramite saldatura, viti o tasselli (non compresi).

4.3 - Installazione staffa di fissaggio anteriore con apertura verso l'interno

La staffa anteriore deve essere fissata all'anta in base alla quota "E" della tabella 1 (Fig.5)

Nota: se si monta il fincorsa di chiusura ridurre la quota "E" di

40mm.

La staffa anteriore deve essere fissata alla stessa altezza della staffa posteriore (Fig.8).

4.4 - Installazione staffa di fissaggio posteriore con apertura verso l'esterno

Per l'apertura verso l'esterno è necessario l'accessorio EXRB. Individuare la quota "C1". Nel caso in cui la quota "C1" sia minore o uguale di 130 mm fare riferimento Fig 5.1A, nel caso in cui sia maggiore di 130 mm, fare riferimento alla Fig 5.1B.

Per determinare il valore della quota "B1" traccia una linea orizzon-

tale dal il valore della quota "C1" (Fig.4.1); il punto di incrocio tra le aree del grafico determina i possibili valori della quota "A1".

Dopo aver fissato la staffa di fissaggio posteriore al muro, avvita le staffe opzionali EXRB come riportato sulla Fig 5.1A o Fig 5.1B.

4.5 - Installazione staffa di fissaggio anteriore con apertura verso l'esterno

La staffa anteriore deve essere fissata all'anta in base alle quote "E1" (Tab.2, Fig.5.1) e deve essere fissata alla stessa altezza della

staffa posteriore (Fig.8).

4.6 - Installazione del motoriduttore

Aprire lo sportello di sblocco e svitare le n. 2 viti che fissano il coperchio posteriore (Fig. 9A).
Togliere il coperchio superiore facendolo prima scorrere leggermente all'indietro (Fig. 9A)
Poggiare il motoriduttore alla staffa posteriore e inserire la vite di

fissaggio (Fig.9B).
Inserire il perno della staffa di scorrimento nella boccola della staffa anteriore e fissarlo tramite la vite e la rondella in dotazione (Fig.9C).
Serrare senza forzare con il dado e la rondella la vite della staffa posteriore montata precedentemente (Fig.9D).

4.7 - Connessioni elettriche

Allentare il pressa cavo ed inserire il cavo di alimentazione (Fig.13).
Collegare i fili del cavo di alimentazione alla morsettiera secondo lo schema elettrico di (Fig.14).
Riavvitare il pressa cavo.

Rimettere il coperchio superiore facendolo prima scorrere leggermente in avanti.
Aprire lo sportello e avvitare le n.2 viti che fissano il coperchio posteriore.

4.8 - Regolazione del finecorsa meccanico in apertura

Sbloccare il motoriduttore (Fig.11).
Allentare la vite del finecorsa meccanico fino a quando il finecorsa è in grado di scorrere.
Aprire manualmente l'anta fino al punto di apertura desiderato.
Portare il finecorsa meccanico in battuta al perno della staffa di scorrimento e fissarlo in posizione tramite la vite (Fig.12).

Nel caso si debba regolare anche il finecorsa meccanico in chiusura (opzionale FCRAY), ripetere la stessa procedura, portando questa volta, manualmente l' anta fino al punto di chiusura desiderato.
N.B. La corsa utile si riduce di 40 mm per ogni finecorsa installato.

4.9 - Sostituzione led - 24 Vdc

Togliere l'alimentazione elettrica.
Con l'aiuto di un cacciavite svitare la vite inferiore (Fig.15a).
Estrarre la mascherina e sfilare la striscia led (Fig.15a).
Scollegare il connettore (Fig.15b).

Collegare i nuovi led e inserirli nella mascherina.
Inserire la mascherina inserendo prima il lato guarnizione e successivamente fissandola con la vite.

5-COLLAUDO E MESSA IN SERVIZIO DELL'AUTOMAZIONE

Il collaudo dell'impianto va eseguito da un tecnico qualificato che deve effettuare le prove richieste dalla normativa di riferimento in funzione dei rischi presenti, verificando il rispetto di quanto previsto

dalle normative, in particolare la norma EN 12453 che indica i metodi di prova per gli automatismi per porte e cancelli.

5.1 Collaudo

Tutti i componenti dell'impianto devono essere collaudati seguendo le procedure indicate nei rispettivi manuali di istruzioni

Controllare che siano rispettate le indicazioni del Capitolo 1 – Avvertenze per la sicurezza
Controllare che il cancello o la porta si possano muovere liberamente una volta sbloccata l'automazione e che siano in equilibrio e rimangano quindi fermi se lasciati in qualsiasi posizione

Controllare il corretto funzionamento di tutti i dispositivi collegati (fotocellule, bordi sensibili, pulsanti di emergenza, altro) effettuando delle prove di apertura, chiusura e arresto del cancello o della porta tramite i dispositivi di comando collegati (trasmettitori, pulsanti, selettori)

Effettuare le misurazioni della forza d'impatto come previsto dalla normativa EN 12453 regolando le funzioni di velocità, forza motore e rallentamenti della centrale nel caso in cui le misurazioni non diano i risultati desiderati fino a trovare il giusto settaggio

5.2 Messa in servizio

A seguito del positivo collaudo di tutti (e non solo di alcuni) i dispositivi dell'impianto si può procedere con la messa in servizio

E' necessario realizzare e conservare per 10 anni il fascicolo tecnico dell'impianto che dovrà contenere lo schema elettrico, il disegno o foto dell'impianto, l'analisi dei rischi e le soluzioni adottate, la dichiarazione di conformità del fabbricante di tutti i dispositivi collegati, il manuale istruzioni di ogni dispositivo e il piano di manutenzione dell'impianto

Fissare sul cancello o la porta una targa indicante i dati dell'automazione, il nome del responsabile della messa in servizio, il numero di matricola e l'anno di costruzione, il marchio CE

Fissare una targa che indichi le operazioni necessarie per sbloccare manualmente l'impianto

Realizzare e consegnare all'utilizzatore finale la dichiarazione di conformità, le istruzioni e avvertenze d'uso per l'utilizzatore finale e il piano di manutenzione dell'impianto

Accertarsi che l'utilizzatore abbia compreso il corretto funzionamento automatico, manuale e di emergenza dell'automazione.

Informare anche in forma scritta l'utilizzatore finale sui pericoli e rischi ancora presenti

INHALTSVERZEICHNIS

1	Sicherheitshinweise	S. 13
2	Produkteinführung	S. 14
2.1	Produktbeschreibung	S. 14
2.2	Modell und technische Merkmale	S. 14
3	Vorabkontrollen	S. 14
4	Produktinstallation	S. 15
4.1	Installation	S. 15
4.2	Installation des hinteren Befestigungsbügels mit Öffnung nach innen	S. 15
4.3	Installation des vorderen Befestigungsbügels mit Öffnung nach innen	S. 15
4.4	Installation des hinteren Befestigungsbügels mit Öffnung nach aussen	S. 15
4.5	Installation des vorderen Befestigungsbügels mit Öffnung nach aussen	S. 15
4.6	Installation des Getriebemotors	S. 16
4.7	Stromanschlüsse	S. 16
4.8	Einstellung des mechanischen Endanschlags beim Öffnen	S. 16
4.9	Auswechseln der Led - 24 Vdc	S. 16
5	Ab- und Inbetriebnahme	S. 16
5.1	Abnahme	S. 16
5.2	Inbetriebnahme	S. 16
6	Abbildungen	S. 37
7	Konformitätserklärung CE	S. 43

1 - SICHERHEITSHINWEISE

⚠ ACHTUNG !

ORIGINALANWEISUNGEN – Wichtige Sicherheitsanweisungen. Für die Sicherheit der Personen ist es wichtig, die folgenden Sicherheitsanweisungen zu befolgen. Bewahren Sie diese Anweisungen auf.

Vor Durchführung der Installation lesen Sie die Anleitung bitte aufmerksam durch.

Die Konstruktion und die Herstellung der Geräte, aus denen sich das Produkt zusammensetzt, und die in diesem Handbuch enthaltenen Informationen entsprechen den geltenden Sicherheitsvorschriften. Dennoch können eine falsche Installation und eine falsche Programmierung schwerwiegende Verletzungen bei Personen verursachen, die die Arbeit ausführen, und bei denen, die die Anlage benutzen werden. Aus diesem Grund ist es wichtig, während der Installation strikt alle Anweisungen in diesem Handbuch zu beachten.

Bei Zweifel jeglicher Art die Installation abbrechen und ggf. den Key Automation Kundendienst zur Klärung kontaktieren.

Für die europäische Gesetzgebung muss der Einbau einer automatischen Tür oder eines automatischen Tors den Bestimmungen der Richtlinie 2006/42/EG (Maschinenrichtlinie) und im Besonderen den Normen EN 12453, EN 12635 und EN 13241-1 entsprechen, die eine Konformitätserklärung der Automatisierung ermöglichen.

In Anbetracht dessen müssen die endgültige Verbindung der Automatisierung ans Stromnetz, die Endabnahme der Anlage, die Inbetriebnahme und die regelmäßige Wartung von qualifiziertem und erfahrenem Personal entsprechend den Anleitungen unter „Prüfung und Inbetriebnahme der Automatisierung“ durchgeführt werden.

Außerdem muss das Personal auch die vorgesehenen Tests nach den vorhandenen Risiken festlegen und die Einhaltung der Gesetze, Vorschriften und Regeln überprüfen: insbesondere die Einhaltung der Norm EN 12453, welche die Prüfverfahren für die Automatisierung von Türen und Toren festlegt.

⚠ ACHTUNG !

Vor Installationsbeginn folgende Analysen und Prüfungen durchführen:

Sicherstellen, dass die für die Automatisierung vorgesehenen Vorrichtungen für die zu realisierende Anlage geeignet sind. Diesbezüglich aufmerksam die im Kapitel „Technische Eigenschaften“ aufgeführten Daten prüfen. Die Installation nicht durchführen, wenn auch nur eine der Vorrichtungen nicht für den Gebrauch geeignet ist.

Sicherstellen, dass die erworbenen Vorrichtungen ausreichend sind, um die Sicherheit und Funktion der Anlage zu gewährleisten.

Die Risikoanalyse durchführen, welche auch die Liste der Sicherheitsanforderungen, aufgeführt in Anhang I der Maschinenrichtlinie, beinhalten muss, und die angewandten Lösungen nennen. Die Risikoanalyse ist eine der Unterlagen, aus denen sich die technischen Unterlagen der Automatisierung zusammensetzen. Diese müssen von einem erfahrenen Installateur ausgefüllt werden.

In Anbetracht der Gefahrensituationen, die bei Installation und Benutzung des Produktes auftreten können, muss die Automatisierung unter Berücksichtigung folgender Hinweise installiert werden:

Keine Änderungen an der Automatisierung vornehmen, wenn diese nicht in diesem Handbuch vorgesehen sind. Diese können nur zu Funktionsstörungen führen. Der Hersteller übernimmt keine Haftung für Schäden, die durch eigenmächtige Änderungen am Produkt verursacht wurden.

Ist das Stromkabel beschädigt, muss es vom Hersteller, seinem technischen Kundendienst oder einer ähnlich qualifizierten Person ersetzt werden, um Gefährdungen zu vermeiden;

Die einzelnen Komponenten der Automatisierung dürfen nicht in Wasser oder andere Flüssigkeiten getaucht werden. Bei der Installation darauf achten, dass keine Flüssigkeit ins Innere der Vorrichtungen dringt.

Sollten Flüssigkeiten ins Innere der Automatisierungskomponenten dringen, sofort die Stromzufuhr abschalten und sich an den Key

Automation Kundendienst wenden. Die Benutzung der Automatisierung in derartigen Situationen kann gefährlich sein.

Die einzelnen Komponenten weder Wärmequellen noch offenen Flammen aussetzen. Dadurch können Schäden, Störungen und Gefahrensituationen entstehen oder ein Brand ausbrechen

⚠ ACHTUNG !

Die Einheit ist während der Reinigung, Wartung und Auswechslung von Bestandteilen von der Speisung abzutrennen. Sollte die Abschaltvorrichtung nicht sichtbar sein, ein Schild mit der Aufschrift „IN WARTUNG“ anbringen.

Alle Vorrichtungen müssen mit einer Stromleitung verbunden werden, die sicher geerdet ist.

Dieses Produkt kann nicht als ausreichendes System für den Einbruchschutz angesehen werden. Wenn Sie sich ausreichend schützen wollen, müssen andere Vorrichtungen in die Automatisierung integriert werden.

Wie im Absatz „Prüfung und Inbetriebnahme der Automatisierung“ vorgesehen, darf das Produkt erst nach der „Inbetriebnahme“ der Automatisierung benutzt werden.

Im Stromnetz der Anlage eine Abschaltvorrichtung mit ausreichendem Öffnungsabstand der Kontakte vorsehen, die, wie von der Überspannungskategorie III gefordert, die komplette Abschaltung erlaubt.

Verwenden Sie für die Verbindung von steifen und flexiblen Rohren oder Kabeldurchgängen Anschlüsse mit dem Schutzgrad IP55 oder höher.

Die elektrische Anlage vor der Automatisierung muss den geltenden Bestimmungen entsprechen und fachgerecht ausgeführt sein.

Das Gerät kann von Kindern im Alter von nicht weniger als 8 Jahren und von Personen mit beschränkten körperlichen, sensorischen und geistigen Fähigkeiten oder ohne Erfahrung bzw. ohne das notwendige Bewußtsein verwendet werden, vorausgesetzt, dass sie dabei überwacht werden oder dass sie Anweisungen über den sicheren Gebrauch des Gerätes und das Verständnis der damit verbundenen Gefahren erhalten haben;

Vergewissern Sie sich vor der Inbetriebsetzung der Automatisierung, dass sich keine Personen in unmittelbarer Nähe befinden;

Vor jeder Reinigung und Wartung ist die Automatisierung vom Stromnetz zu trennen;

Besondere Vorsicht ist geboten, um Quetschungen zwischen dem geführten Teil und festen Elementen in der unmittelbaren Nähe zu vermeiden;

Kinder sollten beaufsichtigt werden, um sicherzustellen, dass sie nicht mit dem Gerät spielen.

Das Gerät darf mit einer automatisierten Tür mit eingebauter Fußgängertür nicht verwendet werden.

⚠ ACHTUNG !

Die Anlage ist regelmäßig dahingehend zu prüfen, dass keine Unwucht und Zeichen einer mechanischen Abnutzung, sowie beschädigte Kabel, Federn und Stützelemente vorhanden sind. Verwenden Sie nicht, wenn eine Reparatur oder Einstellung erforderlich ist.

⚠ ACHTUNG !

Verpackungsbestandteile (Karton, Kunststoff etc.) sind ordnungsgemäß getrennt in die entsprechenden Behälter zu entsorgen. Gerätekomponenten wie Elektronikplatinen, Metallteile, Batterien etc. müssen getrennt und unterschieden werden. Für die Entsorgungswege sind die am Aufstellungsort geltenden Vorschriften anzuwenden. NICHT IN DER UMWELT ENTSORGEN!



KEY AUTOMATION S.r.l. behält sich das Recht vor, diese Anweisungen bei Bedarf zu ändern. Diese und/oder eine höhere Version können auf der Website www.keyautomation.com gefunden werden.

2 - PRODUKTEINFÜHRUNG

2.1 - Produktbeschreibung

Die Antriebe RAY sind für den Einbau in Automationsanlagen für Tore mit Drehflügeln bestimmt.

Die Antriebe RAY werden zur Montage an Drehflügeln innerhalb der in den Tabellen der technischen Daten aufgeführten

Gewichtsgrenzen entworfen und gebaut.

Die Verwendung der Getriebemotoren für andere Anwendungen als den oben angegebenen ist verboten.

2.2 - Modell und technische Merkmale

ARTIKELNUMMER	BESCHREIBUNG
RAY2524	Antrieb für Drehflügel mit einer Länge von max. 3 m oder max. einem Gewicht von 300 kg, 24 Vdc
RAY4024E	Antrieb für Drehflügel mit einer Länge von max. 4 m oder max. einem Gewicht von 600 kg mit Encoder, 24 Vdc
RAY4224E	Antrieb für Drehflügel mit einer Länge von max. 4 m oder max. einem Gewicht von 600 kg mit Encoder, 24 Vdc
RAY40	Antrieb für Drehflügel mit einer Länge von max. 4 m oder max. einem Gewicht von 600 kg, 230 Vac
RAY40L	Antrieb für Drehflügel mit einer Länge von max. 4 m oder max. einem Gewicht von 600 kg, 230 Vac, langsam
RAY2224	Antrieb für Drehflügel mit einer Länge von max. 3 m oder max. einem Gewicht von 300 kg, 24 Vdc
RAY4024R	Antrieb für Drehflügel mit einer Länge von max. 4 m oder max. einem Gewicht von 500 kg, 24 Vdc, nicht selbsthemmend
RAY3024F	Antrieb für Drehflügel mit einer Länge von max. 3m oder max. einem Gewicht von 300 kg, 24 Vdc mit Encoder, fast

TECHNISCHE DATEN	MODELL								
	RAY2524	RAY4024 RAY4024E	RAY4224E	RAY40	RAY40L	RAY2224	RAY4024R	RAY3024F	
Geschwindigkeit	2,6 cm/s	1,5 cm/s	1,5 cm/s	1,6 cm/s	1 cm/s	2,6 cm/s	3 cm/s	3,8 cm/s	
Schubkraft	1500 N	2000 N	2000 N	2000 N	1800 N	1500 N	1000 N	1000 N	
Arbeitszyklus *	40	40	40	25	16	40	40	40	
Öffnungszeit bei 90 °	18-25**	20-25**	20-25**	20-25**	32-40**	18-25**	15-20**	10-15**	
Schlaganfall	415 mm								
Central Command	14AB	14AB2	CT20324	CT202	CT202	CT20324	14AB2	14AB2F	
Versorgung	24 Vdc	24 Vdc	24 Vdc	230 Vac 50/60 Hz			24 Vdc		
Leistungsaufnahme	3,5 A	5 A	5 A	1,2 A	1,3 A	3,5 A	5 A	5 A	
Motorleistung	85 W	120 W	120 W	280 W	300 W	85 W	120 W	120 W	
Kondensator	-	-	-	8 µF	8 µF	-	-	-	
Thermoschutz	-	-	-	150 °C	150 °C	-	-	-	
Einbauleuchte	si	si	no	-	-	-	si	si	
Schutzgrad	IP44								
Größe (L - P - H)	844-100-104 mm								
Gewicht	6 kg	8 kg	8 kg	8 kg	8 kg	6 kg	8 kg	8 kg	
Betriebstemperatur	-20°+55°C								
Schallemissionspegel	≤ 70dB(A)								

* mit optimierten Befestigungsmaße

** mit nicht getäfelter Tür bei einer Temperatur von 20°C

3 - VORABKONTROLLEN

Vor der Installation bitte folgende Punkte prüfen und kontrollieren:

- Kontrollieren ob sich Tor oder Tür für die Automatisierung eignen.
- Gewicht und Größe des Tors oder der Tür müssen innerhalb der maximal zulässigen Einsatzgrenzen liegen, die in Abb. 2 angegeben sind.
- Kontrolle des Vorhandenseins und der Stärke der mechanischen Sicherheitsanschlüsse des Tors oder der Tür.
- Sicherstellen, dass der Befestigungsbereich nicht überflutet werden kann.
- Überhöhter Säure- oder Salzgehalt oder die Nähe von Wärmequellen können Fehlfunktion des Produktes verursachen.
- bei extremen klimatischen Verhältnissen (wie z.B. Schnee, Eis, hohe Temperaturunterschiede, hohe Temperaturen) könnten sich die Reibungen verstärken, deshalb könnte der Kraftaufwand für

die Bewegung und das Anlaufmoment höher sein als im Normalzustand.

- Kontrollieren, dass die manuelle Bewegung des Tors oder der Tür flüssig und ohne Reibungspunkte ist und keine Entgleisungsgefahr besteht.
- Prüfen, dass sich das Tor oder die Tür im Gleichgewicht befindet und folglich in jeder Stellung stillsteht.
- Prüfen, dass die Stromleitung für den Anschluss des Produkts über eine gesicherte Erdung verfügt und mit einem Leitungsschutz- und Differentialschalter geschützt ist.
- Im Stromnetz der Anlage eine Abschaltvorrichtung mit ausreichender Öffnungsweite der Kontakte vorsehen, die, wie von der Überspannungskategorie III gefordert, die komplette Abschaltung erlaubt.
- Sicherstellen, dass das gesamte benutzte Material den geltenden Normen entspricht.

4 - PRODUKTINSTALLATION

4.1 - Installation

⚠ ACHTUNG !

Der Installateur muss prüfen, dass der auf dem Antrieb angegebene Temperaturbereich für die Position, an der er installiert werden muss, geeignet ist.

⚠ ACHTUNG !

Der Antrieb muss zum Schutze vor allen möglichen Quetschstellen (für Hände, Füße...) notwendigerweise mit einer Sicherheitsleiste im Sinne der Bestimmungen der Norm EN 13241-1 ausgestattet sein.

⚠ ACHTUNG !

Das Tor muss mit Öffnungs- und Schließanschlag ausgestattet sein, um Torüberläufe zu verhindern.

Prüfen Sie vor dem Einbau die Unversehrtheit des Produktes sowie ob alle Bauteile in der Packung vorhanden sind (Abb. 3). Außerdem ist zu prüfen, dass die Befestigungszone des Getriebemotors mit den Ausmaßen verträglich ist (Abb.1).

Den Öffnungswinkel prüfen, der je nach den Befestigungspunkten der Bügel erlaubt ist; dazu auf die grafische Darstellung der Abb. 4 für die Öffnung nach innen Bezug nehmen. Bei Öffnung nach außen, siehe die grafische Darstellung der Abb.4.1.

Abb. 6 zeigt ein typisches Installationsbeispiel:

- Getriebemotoren (1)
- Fotozellen (2)
- Säulen für Fotozellen (3)
- Blinkleuchte mit integrierter Antenne (4)
- Schlüsselwahlschalter oder digitale Tastatur (5)
- Steuergerät (6)
- Druckempfindliche Kante (7)

4.2 - Installation des hinteren Befestigungsbügels mit Öffnung nach innen

Die Position zur Befestigung des hinteren Bügels wird anhand der Zeichnung festgelegt (Abb.4).

Wichtig: Vorzuziehen ist eine Installationsweise, bei der die Werte für "A" und "B" (Abb. 4) möglichst nahe beieinander liegen (l.o.=optimale Linie).

Das gefundene Positioniermaß C messen und eine waagrechte Linie ziehen, die den Wert des Positioniermaßes B(*) bestimmt, wie im Beispiel von Abb. 4b gezeigt. Der Kreuzpunkt mit der Linie "l.o." (optimale Linie) bestimmt den Wert des maximalen Öffnungswinkels; von diesem Punkt aus eine senkrechte Linie ziehen, wie im Beispiel von Abb.4b gezeigt, um den Wert des Positionier-

maßes A zu bestimmen.

Wenn der gefundene Winkel nicht Ihren Erfordernissen entspricht, müssen Sie das Positioniermaß A und eventuell das Positioniermaß B anpassen, damit sie einander ähnlich sind.

(*) Wir empfehlen, für das Positioniermaß B keine unter der Linie "l.s." liegenden Werte zu verwenden.

Schneiden Sie bei Bedarf den hinteren Bügel (Abb. 7), so dass der Wert "B" erzielt wird, schweißen Sie ihn dann an die Wandhalterung. Befestigen Sie schließlich die Wandhalterung mittels Schweißen, Schrauben oder Dübeln (nicht beiliegend).

4.3 - Installation des vorderen Befestigungsbügels mit Öffnung nach innen

Der vordere Bügel muss am Flügel entsprechend des Wertes "E" in Tabelle 1 befestigt werden (Abb.5).

Hinweis: Bei Montage des Endschalters beim Schließen muss der

Wert "E" um 40 mm verringert werden.

Der vordere Bügel muss in der gleichen Höhe des hinteren Bügels befestigt werden (Abb.8).

4.4 - Installation des hinteren Befestigungsbügels mit Öffnung nach aussen

Für die Öffnung nach außen ist das Zubehör EXRB erforderlich. Das Maß „C1“ suchen. Falls das Maß „C1“ 130 mm oder kleiner ist, ist auf die Abb.5.1A Bezug zu nehmen, falls es größer als 130 mm ist, siehe die Abb.5.1B.

Zur Bestimmung des Wertes für das Maß „B1“, eine horizontale Linie vom Wert des Maßes „C1“ ziehen (Abb.4.1); der Kreuzpunkt

zwischen den Bereichen der grafischen Darstellung bestimmt die möglichen Werte für das Maß "A1".

Nach erfolgter Befestigung des hinteren Befestigungsbügels an der Mauer, die optionalen Bügel EXRB gemäß Abb. 5.1A oder Abb. 5.1B anschrauben.

4.5 - Installation des vorderen Befestigungsbügels mit Öffnung nach aussen

Der vordere Bügel ist nach den Maßen „E1“ (Tab.2, Abb.5.1) am Torflügel zu befestigen, sowie an der selben Höhe wie der hintere

Bügel (Abb.8).

4.6 - Installation des Getriebemotors

Öffnen Sie die Klappe zum Entriegeln und lösen Sie die 2 Schrauben, mit denen der hintere Deckel befestigt ist (Abb. 9A). Entfernen Sie den oberen Deckel, indem Sie ihn geringfügig nach hinten schieben (Abb. 9A). Legen Sie den Getriebemotor auf die hintere Halterung und fügen Sie die Befestigungsschraube ein (Abb. 9B).

Fügen Sie den Zapfen der Gleithalterung in die Buchse des vorderen Bügels ein und befestigen Sie ihn mit der beiliegenden Schraube und Unterlegscheibe (Abb. 9C). Die Schraube des zuvor montierten hinteren Bügels mit Mutter und Scheibe spannen, ohne Kraft aufzubringen (Abb.9D).

4.7 - Stromanschlüsse

Lockern Sie die Kabelklemme und fügen Sie das Stromkabel ein (Abb.13). Schließen Sie die Drähte des Stromkabels gemäß dem Schaltplan von (Abb.14) an. Ziehen Sie die Kabelklemme wieder fest.

Den oberen Deckel wieder aufsetzen und ihn dazu vorher leicht nach vorne schieben. Öffnen Sie die Klappe und ziehen Sie die 2 Schrauben fest, mit denen der hintere Deckel befestigt wird.

4.8 - Einstellung des mechanischen Endanschlags beim Öffnen

Entriegeln Sie den Getriebemotor (Abb.11). Lockern Sie die Schraube des mechanischen Endanschlags bis der Endschalter verschoben werden kann. Öffnen Sie den Flügel manuell bis zur gewünschten Öffnungsweite. Bringen Sie den mechanischen Endanschlag in Kontakt mit dem Zapfen der Gleithalterung und befestigen Sie ihn mit der Schraube in dieser Position (Abb.12).

Sollte auch der mechanische Endanschlag beim Schließen (optional FCRAY) eingestellt werden müssen, muss dieser Vorgang wiederholt werden, wobei nun der Flügel manuell bis zum gewünschten Schließpunkt zu bewegen ist. N.B. Jeder installierte Endschalter reduziert den nutzbaren Laufweg um 40 mm.

4.9 - Auswechseln der Led - 24 Vdc

Schalten Sie die Stromzufuhr ab. Lösen Sie mit Hilfe eines Schraubendrehers die untere Schraube (Abb.15a). Ziehen Sie die Maske und das Led-Band heraus (Abb.15a). Lösen Sie den Verbinder (Abb.15b).

Schließen Sie die neuen Leds an und fügen Sie sie in die Maske ein. Setzen Sie die Maske zuerst mit der Seite der Dichtung ein und befestigen Sie sie dann mit der Schraube.

5 – TEST UND INBETRIEBNAHME DER AUTOMATION

Die Endabnahme der Anlage muss von einem qualifiziertem Techniker durchgeführt werden, der alle von der entsprechenden Norm geforderten Proben bzgl. der bestehenden Risiken

ausführen muss, insbesondere entsprechend EN 12453, welche die Testmethoden für Automationen von Türen und Tore enthält.

5.1 Test

Alle Komponenten der Anlage müssen entsprechend der jeweiligen Anweisungen der Handbücher endgeprüft werden.

Kontrollieren, dass die Anweisungen des Kapitels 1 beachtet werden – Anweisungen zur Sicherheit
Kontrollieren, dass sich das Tor oder die Tür nach der Entriegelung frei bewegen können und sich in jeder Stellung im Gleichgewicht befinden und stillstehen.

Die korrekte Funktion aller verbundenen Vorrichtungen (Fotozellen, Druckleisten, Notschalter und anderes) kontrollieren, indem man mit den Bedienvorrichtungen alle Proben der Öffnung, Schließung und Blockierung des Tors oder der Tür durchführt (Sender, Tasten, Wahlschalter).

Die Messungen der Aufprallstärke nach EN 12453 durchführen, dabei Geschwindigkeit, Motorkraft und Verlangsamungen des Steuergeräts einstellen, falls die Messungen nicht die gewünschten Werte zeigen.

5.2 Inbetriebnahme

Nach positivem Test aller (und nicht nur einiger) Vorrichtungen der Anlage, kann die Inbetriebnahme vorgenommen werden.

Die technischen Unterlagen der Anlage müssen ausgestellt und für 10 Jahre aufbewahrt werden, sie umfassen den Schaltplan, die Zeichnung oder ein Foto der Anlage, die Risikoanalyse und die jeweiligen Lösungen, die Konformitätserklärung des Herstellers, die Gebrauchsanweisungen einer jeden Vorrichtung und den Wartungsplan der Anlage.

Am Tor oder an der Tür ein Schild mit den Daten der Automation, dem Namen des Verantwortlichen der Inbetriebnahme, der Seriennummer, dem Herstellungsjahr sowie dem CE-Zeichen anbringen.

Ein Schild mit den notwendigen Handgriffen zur manuellen Entriegelung der Anlage anbringen.

Die Konformitätserklärung ausfüllen und dem Endbenutzer zusammen mit der Gebrauchsanweisung und dem Wartungsplan der Anlage aushändigen.

Sicherstellen, dass der Benutzer den automatischen und manuellen Betrieb und die Notausschaltung des Antriebs verstanden hat.

Den Endbenutzer auch schriftlich über Gefahren und Risiken informieren.

ÍNDICE

1	Advertencias de seguridad	pág. 18
2	Introducción al producto	pág. 19
2.1	Descripción del producto	pág. 19
2.2	Modelo y características técnicas	pág. 19
3	Comprobaciones preliminares	pág. 19
4	Instalación del producto	pág. 20
4.1	Instalación	pág. 20
4.2	Instalación del estribo de fijación trasero con apertura hacia el interior	pág. 20
4.3	Instalación del estribo de fijación delantero con apertura hacia el interior	pág. 20
4.4	Instalación del estribo de fijación trasero con apertura hacia el exterior	pág. 20
4.5	Instalación del estribo de fijación delantero con apertura hacia el exterior	pág. 20
4.6	Instalación del motorreductor	pág. 21
4.7	Conexiones eléctricas	pág. 21
4.8	Regulación del final de carrera mecánico en apertura	pág. 21
4.9	Sustitución de los led - 24 Vdc	pág. 21
5	Ensayo y puesta en servicio	pág. 21
5.1	Ensayo	pág. 21
5.2	Puesta en servicio	pág. 21
6	Imágenes	pág. 37
7	Declaración CE de conformidad	pág. 43

1 - ADVERTENCIAS DE SEGURIDAD

ATENCIÓN !

INSTRUCCIONES ORIGINALES – instrucciones importantes de seguridad. Para la seguridad de las personas es importante respetar las siguientes instrucciones de seguridad. Guarde estas instrucciones.

Lea detenidamente las instrucciones antes de realizar la instalación.

El diseño y la fabricación de los dispositivos que componen el producto y las informaciones contenidas en este manual respetan las normativas vigentes sobre la seguridad. No obstante esto, una instalación y una programación incorrectas pueden provocar graves lesiones a las personas que realizan el trabajo y a aquellas que utilizarán el sistema. Por dicho motivo, durante la instalación es importante respetar escrupulosamente todas las instrucciones mencionadas en este manual.

No proceda con la instalación si tuviera alguna duda y, si fuera necesario, solicite aclaraciones al Servicio de Asistencia Key Automation.

Para la legislación Europea la realización de una puerta automática debe respetar las Normas previstas por la Directiva 2006/42/CE (Directiva de Máquinas) y, en particular, las Normas EN 12453, EN 12635 y EN 13241-1, que permiten declarar la conformidad del automatismo.

En virtud de esto, la conexión definitiva del automatismo a la red eléctrica, el ensayo del sistema, su puesta en servicio y el mantenimiento periódico deben ser realizados por personal calificado y experto, respetando las instrucciones indicadas en el apartado "Ensayo y puesta en servicio del automatismo".

Además, el personal deberá establecer los ensayos previstos en función de los riesgos presentes y deberá comprobar la conformidad con las leyes, normativas y reglamentos: en particular, el respeto de todos los requerimientos de la Norma EN 12453 que establece los métodos de ensayo para las puertas motorizadas.

ATENCIÓN !

Antes de comenzar con la instalación, realice los siguientes análisis y controles:

compruebe que los dispositivos destinados al automatismo sean adecuados para el sistema que se debe realizar. Para tal fin, controle detenidamente los datos indicados en el capítulo "Características técnicas". No realice la instalación incluso si uno de dichos dispositivos no es adecuado para el uso;

compruebe que los dispositivos comprados sean suficientes para garantizar la seguridad del sistema y su funcionamiento;

realice el análisis de los riesgos que debe incluir la lista de los requerimientos esenciales de seguridad indicados en el Anexo I de la Directiva de Máquinas, indicando las soluciones tomadas. El análisis de los riesgos es uno de los documentos que constituyen el expediente técnico del automatismo. El mismo deberá ser cumplimentado por un instalador profesional.

Teniendo en cuenta las situaciones peligrosas que pueden generarse durante las etapas de instalación y uso del producto, es necesario instalar el automatismo respetando las siguientes advertencias:

no modifique ninguna pieza del automatismo, salvo aquellas previstas en este manual. Las operaciones de este tipo pueden provocar solo fallos en el funcionamiento. El fabricante no se asume ninguna responsabilidad por los daños provocados por los productos modificados arbitrariamente;

procure que las piezas de los componentes del automatismo no queden sumergidas en agua o en otras sustancias líquidas. Durante la instalación, evite que los líquidos puedan penetrar en el interior de los dispositivos;

si el cable de alimentación estuviera dañado, deberá ser sustituido por el fabricante o por su servicio de asistencia técnica, o bien por una persona cualificada con el fin de prevenir cualquier tipo de riesgo;

si sustancias líquidas penetraran en el interior de las piezas de los componentes del automatismo, desconecte inmediatamente la alimentación eléctrica y contacte con el Servicio de Asistencia Key Automation. Utilizar el automatismo en dichas condiciones podría causar situaciones peligrosas.

No coloque los componentes del automatismo cerca de fuentes de calor ni los exponga al fuego. Esto podría averiarlos y provocar fallos de funcionamiento, incendios o situaciones peligrosas;

ATENCIÓN !

La unidad no debe estar conectada a la fuente de alimentación durante la limpieza, mantenimiento y sustitución de componentes. Si el dispositivo de desconexión no estuviera a la vista, cuelgue un cartel que indique: "MANTENIMIENTO EN CURSO";

todos los dispositivos deben estar conectados a una línea de alimentación eléctrica con puesta a tierra de seguridad incorporada;

el producto no puede ser considerado un sistema de protección eficaz contra las intrusiones. Si usted deseara una protección eficaz, es necesario integrar el automatismo con otros dispositivos;

el producto se puede utilizar exclusivamente después de haber realizado la "puesta en servicio" del automatismo, tal como previsto en el apartado "Ensayo y puesta en servicio del automatismo";

instale en la red de alimentación del sistema un dispositivo de desconexión con una distancia de apertura de los contactos que permita la desconexión completa en las condiciones establecidas por la categoría de sobretensión III;

para la conexión de tubos rígidos o flexibles o prensaestopas, utilice racores de conformidad con el grado de protección IP55 o superior;

el sistema eléctrico que alimenta el automatismo debe responder a las normativas vigentes y debe estar realizado correctamente; el dispositivo puede ser utilizado por niños mayores de 8 años de edad, y por personas con capacidades físicas, sensoriales o mentales reducidas, o sin experiencia ni conocimientos necesarios, siempre y cuando estén supervisados, o una vez que hayan sido instruidos sobre el uso seguro del dispositivo y hayan comprendido los peligros que entraña;

antes de poner en marcha el automatismo, asegúrese de que no haya ninguna persona en las cercanías;

antes de limpiar o mantener el automatismo, desconecte la corriente eléctrica;

tenga mucho cuidado para evitar el aplastamiento entre la parte guiada y los elementos fijos de alrededor;

controle que los niños no jueguen con el dispositivo.

el dispositivo no puede ser utilizado con una puerta automatizada que incorpora una puerta peatonal.

ATENCIÓN !

Examinar periódicamente la instalación para comprobar desequilibrios y signos de desgaste mecánico, daños a los cables, muelles, piezas de sostén.

No utilizar si es necesario reparar o ajuste.

ATENCIÓN !

Los componentes del embalaje (cartón, plástico, etc.), debidamente separados, se depositarán en los contenedores correspondientes. Los componentes del dispositivo como placas electrónicas, partes metálicas, baterías, etc. deben estar separados y diferenciados. Para los métodos de eliminación, se deben aplicar las normas vigentes en el lugar de instalación. ¡NO DESECHE EN EL MEDIO AMBIENTE!



KEY AUTOMATION S.r.l. se reserva la facultad de modificar estas instrucciones de ser necesario, esta versión o aquella superior se pueden encontrar en la web www.keyautomation.com

2 - INTRODUCCIÓN AL PRODUCTO

2.1 - Descripción del producto

Los motorreductores RAY están destinados a la instalación en sistemas de automatización para cancelas con puertas batientes. Los motorreductores RAY están proyectados y fabricados para el montaje en puertas con apertura batiente en los límites de peso

indicados en la tabla de especificaciones técnicas. Está prohibido el uso de motorreductores para aplicaciones diferentes de las indicadas arriba.

2.2 - Modelos y características técnicas

CÓDIGO	DESCRIPCIÓN
RAY2524	Motorreductor para puertas con apertura batiente de longitud máxima 3 m o peso máximo 500 kg, 24 Vdc
RAY4024E	Motorreductor para puertas con apertura batiente de longitud máxima 4 m o peso máximo 600 kg con encoder, 24 Vdc
RAY4224E	Motorreductor para puertas con apertura batiente de longitud máxima 4 m o peso máximo 600 kg con encoder, 24 Vdc
RAY40	Motorreductor para puertas con apertura batiente de longitud máxima 4 m o peso máximo 600 kg, 230 Vac
RAY40L	Motorreductor para puertas con apertura batiente de longitud máxima 4 m o peso máximo 600 kg, 230 Vac, lenta
RAY2224	Motorreductor para puertas con apertura batiente de longitud máxima 3 m o peso máximo 300 kg, 24 Vdc
RAY4024R	Motorreductor para puertas con apertura batiente de longitud máxima 4 m o peso máximo 500 kg, 24 Vdc, reversible
RAY3024F	Motorreductor para puertas con apertura batiente de longitud máxima 3 m o peso máximo 300 kg, motor 24 Vdc con encoder, fast

DATOS TÉCNICOS		MODELO							
		RAY2524	RAY4024 RAY4024E	RAY4224E	RAY40	RAY40L	RAY2224	RAY4024R	RAY3024F
ESPECIFICACIONES TÉCNICAS	Velocidad	2,6 cm/s	1,5 cm/s	1,5 cm/s	1,6 cm/s	1 cm/s	2,6 cm/s	3 cm/s	3,8 cm/s
	Fuerza de empuje	1500 N	2000 N	2000 N	2000 N	1800 N	1500 N	1000 N	1000 N
	Ciclo/hora *	40	40	40	25	16	40	40	40
	Tiempo de apertura a 90°	18-25**	20-25**	20-25**	20-25**	32-40**	18-25**	15-20**	10-15**
	Carrera útil	415 mm							
	Central de mando	14AB	14AB2	CT20324	CT202	CT202	CT20324	14AB2	14AB2F
	Alimentación	24 Vdc	24 Vdc	24 Vdc	230 Vac 50/60 Hz			24 Vdc	
	Absorción	3,5 A	5 A	5 A	1,2 A	1,3 A	3,5 A	5 A	5 A
	Potencia motor	85 W	120 W	120 W	280 W	300 W	85 W	120 W	120 W
	Condensador	-	-	-	8 µF	8 µF	-	-	-
	Termoprotección	-	-	-	150 °C	150 °C	-	-	-
	Luz integrada	si	si	no	-	-	-	si	si
	Grado de protección	IP44							
	Dimensiones (L - P - H)	844-100-104 mm							
Peso	6 kg	8 kg	8 kg	8 kg	8 kg	6 kg	8 kg	8 kg	
Temperatura de funcionamiento	-20°+55°C								
Nivel de emisión sonora	≤ 70dB(A)								

* con puerta sin paneles a una temperatura de 20°C

** con medidas de instalación ideales

3 - COMPROBACIONES PRELIMINARES

Antes de instalar el producto compruebe y controle los siguientes puntos:

- Compruebe que la cancela o la puerta sean aptos para la automatización.
- El peso y la dimensión de la cancela o de la puerta deben estar dentro de los límites máximos de uso permitidos especificados en la Fig.2
- Compruebe la presencia y la solidez de las paradas mecánicas de seguridad de la cancela o de la puerta.
- Compruebe que la zona de fijación del producto no se inunde
- Condiciones de acidez o salinidad elevadas o que haya fuentes de calor cercanas que pudieran causar mal funcionamiento del producto.
- En caso de condiciones climáticas extremas (por ejemplo en presencia de nieve, hielo, excursión térmica o temperaturas elevadas) podrían aumentar las fricciones y, por tanto, la fuerza necesaria

para el movimiento y el arranque inicial podrían ser superiores a los necesarios en condiciones normales.

- Compruebe que el movimiento manual de la cancela o de la puerta sea fluido y que no haya zonas de mayor fricción o riesgo de descarriamiento.

Compruebe que la cancela o la puerta estén en equilibrio y permanezcan detenidas sea cual sea la posición en la que se las deje.

- Compruebe que la línea eléctrica a la se conectará el producto cuente con puesta a tierra de seguridad y esté protegida por un dispositivo magnetotérmico y diferencial.
- Hay que prever en la red de alimentación de la instalación un dispositivo de desconexión con una distancia de apertura de los contactos que permita la desconexión completa en las condiciones que dicta la categoría de sobretensión III.
- Compruebe que todo el material utilizado por la instalación esté conforme a las normativas vigentes.

4- INSTALACIÓN DEL PRODUCTO

4.1 - Instalación

⚠ ATENCIÓN !

El instalador debe comprobar que el rango de temperatura indicado en el dispositivo de automatización sea apto para la posición en la que se debe instalar.

⚠ ATENCIÓN !

La puerta automatizada debe incorporar obligatoriamente una banda sensible de protección de todos los puntos posibles de aplastamiento (manos, pies...) respetando los requisitos previstos por la norma EN 13241-1.

⚠ ATENCIÓN !

La puerta debe estar equipada con topes de apertura y cierre que impidan el sobrerrecorrido de la puerta.

Antes de llevar a cabo la instalación, compruebe la integridad del producto y que todos los componentes estén en la caja (Fig.3). También compruebe que la zona de fijación del motorreductor sea compatible con las medidas exteriores (Fig. 1).

Compruebe el ángulo de apertura, admitido de acuerdo con los puntos de fijación de los estribos, tomando como referencia el gráfico de la Fig. 4 para la apertura hacia el interior. En caso de apertura hacia el exterior, consulte el gráfico de la Fig. 4.1.

En Fig.6 aparece una representación de un ejemplo de instalación típica:

- Motorreductores (1)
- Fotocélulas (2)
- Columnas para fotocélulas (3)
- Luz intermitente con antena incorporada (4)
- Selectore de llave o teclado digital (5)
- Central de control (6)
- Borde sensible (7)

4.2 - Instalación del estribo de fijación trasero con apertura hacia el interior

La posición de fijación del estribo posterior se determina en base al gráfico (Fig.4).

Importante: se da preferencia a las instalaciones en las que los valores de "A" y "B" (Fig.4) sean lo más parecidos posible entre ellos (l.o.=mejor línea posible).

Busque la altura C encontrada y trace una línea horizontal, que determina el valor de la altura B (*), como se muestra en el ejemplo de la Fig. 4b; el punto de cruce con la línea "l.o." (mejor línea posible) determina el valor del ángulo de apertura máxima; desde este punto, trace una línea vertical como se muestra en el ejemplo de la

Fig. 4b para determinar el valor de la altura A.

Si el ángulo no corresponde con las necesidades propias, es necesario adecuar la altura A y si es necesario la altura B, para que sean parecidas entre ellas.

(* Se aconseja no utilizar valores de la altura B por debajo de la línea "l.s.".

Si es necesario, corte el estribo posterior (Fig.7) hasta obtener el valor "B", después suéldelo al estribo de fijación a la pared.

Para terminar fije el estribo de fijación a la pared mediante soldadura, tornillos o tacos (no incluidos).

4.3 - Instalación del estribo de fijación delantero con apertura hacia el interior

El estribo anterior debe fijarse a la puerta en base a la cuota "E" de la tabla 1 (Fig.5).

Nota: si se monta el final de carrera de cierre se reduce la cuota "E"

en 40 mm.

El estribo anterior debe fijarse a la misma altura del estribo posterior (Fig.8).

4.4 - Instalación del estribo de fijación trasero con apertura hacia el exterior

Para la apertura hacia el exterior se requiere el accesorio EXRB. Determine la medida "C1". Si la medida "C1" fuera menor o igual que 130 mm, consulte la Fig. 5.1A, si fuera mayor que 130 mm, consulte la Fig. 5.1B.

Para determinar el valor de la medida "B1", trace una línea horizon-

tal del valor de la medida "C1" (Fig. 4.1); el punto de cruce entre las zonas del gráfico determina los posibles valores de la medida "A1".

Tras haber fijado el estribo de fijación trasero a la pared, enrosque los estribos opcionales EXRB tal como se muestra en la Fig. 5.1A o Fig. 5.1B.

4.5 - Instalación del estribo de fijación delantero con apertura hacia el exterior

El estribo delantero debe fijarse a la puerta de acuerdo con las medidas "E1" (Tab. 2, Fig. 5.1) y debe fijarse a la misma altura que el

estribo trasero (Fig. 8).

4.6 - Instalación del motorreductor

Abra el compartimento de desbloqueo y desatornille los 2 tornillos que fijan la tapa posterior (Fig. 9A).
Retire la tapa superior deslizándola antes ligeramente hacia atrás (Fig. 9A).
Apoye el motorreductor al estribo posterior e introduzca el tornillo de fijación (Fig.9B).

Introduzca el perno del estribo de deslizamiento en el buje del estribo anterior y fíjelo mediante el tornillo y la arandela incluidos (Fig.9C).
Apriete con la tuerca y la arandela el tornillo del estribo trasero antes montado sin hacer fuerza (Fig. 9D).

4.7 - Conexiones eléctricas

Afloje el prensa cable e introduzca el cable de alimentación (Fig.13).
Conecte los hilos del cable de alimentación a la bornera según se indica en el esquema eléctrico de (Fig.14).
Vuelva a atornillar el prensa cable.

Coloque de nuevo la cubierta superior, deslizándola primero ligeramente hacia adelante.
Abra el compartimento y atornille los 2 tornillos que fijan la tapa posterior.

4.8 - Regulación del final de carrera mecánico en apertura

Desbloquear el motorreductor (Fig.11).
Afloje el tornillo del final de carrera mecánico hasta que pueda deslizarse el final de carrera.
Abra manualmente la puerta hasta el punto de apertura deseado.
Ponga el final de carrera mecánico en contacto con el perno del estribo de deslizamiento y fíjelo en su posición mediante el tornillo (Fig.12).

En el caso de tener que regular también el final de carrera mecánico en cierre (opcional FCRA), repita el procedimiento llevando esta vez, manualmente, la puerta hasta el punto de cierre deseado.
N.B. La carrera útil se reduce de 40 mm por cada final de carrera instalado.

4.9 - Sustitución luces led - 24 Vdc

Desconecte la alimentación eléctrica.
Con la ayuda de un destornillador desatornille el tornillo inferior (Fig.15a).
Extraiga la plantilla y deslice la tira de led (Fig.15a) .

Desconecte el conector (Fig.15b).
Conecte las nuevas luces led e introdúzcalas en la plantilla.
Introduzca la plantilla introduciendo antes el lado de la junta para, a continuación, sujetarla con el tornillo.

5 - ENSAYO Y PUESTA EN SERVICIO DE LA AUTOMATIZACIÓN

El ensayo de la instalación debe realizarlo un técnico calificado el cual deberá llevar a cabo las pruebas requeridas por la normativa de referencia en función de los riesgos presentes, comprobando

el respeto de cuanto prevén las normativas, especialmente la EN 12453, que indica los métodos de prueba para las automatizaciones de puertas y cancelas.

5.1 Ensayo

Hay que someter a ensayo a todos los componentes de la instalación, siguiendo el procedimiento que se indica en los correspondientes manuales de instrucciones.

Compruebe que se respetan las indicaciones del Capítulo 1 – Advertencias para la seguridad.
Compruebe que la cancela o la puerta se puedan mover libremente al desbloquear la automatización y que estén en equilibrio y permanezcan detenidas sea cual sea la posición en la que se las deje.
Compruebe el correcto funcionamiento de todos los dispositivos co-

nectados (fotocélulas, bordes sensibles, botones de emergencia, otros) efectuando las pruebas de apertura, cierre y detención de la cancela o de la puerta mediante los dispositivos de control conectados (transmisores, botones, selectores).

Efectúe las mediciones de la fuerza de impacto tal y como prevé la normativa EN 12453; en el caso de no obtener con las mediciones los resultados deseados regule las funciones de velocidad, fuerza motora o deceleraciones de la central hasta encontrar la configuración adecuada.

5.2 Puesta en servicio

Tras haber probado todos (y no algunos) los dispositivos de la instalación se puede proceder a su puesta en servicio.

Será necesario realizar y conservar durante 10 años el fascículo técnico de la instalación que deberá contener el esquema eléctrico, el dibujo o foto de la instalación, el análisis de los riesgos y las soluciones adoptadas, la declaración de conformidad del fabricante de todos los dispositivos conectados, el manual de instrucciones de cada dispositivo y el plan de mantenimiento de la instalación.

Fije en la cancela o la puerta una placa con los datos de la automatización, el nombre del responsable de la puesta en servicio, el número de matrícula y el año de construcción, la marca CE.

Fije una placa que indique las operaciones necesarias para desbloquear la instalación manualmente.

Realice y entregue al usuario final la declaración de conformidad, las instrucciones y advertencias de uso para el usuario final y el plano de mantenimiento de la instalación.

Asegúrese de que el usuario haya comprendido el correcto funcionamiento automático, manual y de emergencia de la automatización.

Informe también por escrito al usuario final de los peligros y riesgos todavía presentes.

SOMMAIRE

1	Avertissements pour la sécurité	p. 23
2	Introduction au produit	p. 24
2.1	Description du produit	p. 24
2.2	Modèle et caractéristiques techniques	p. 24
3	Contrôles préliminaires	p. 24
4	Installation du produit	p. 25
4.1	Installation	p. 25
4.2	Installation de la bride de fixation arrière avec ouverture vers l'intérieur	p. 25
4.3	Installation de la bride de fixation avant avec ouverture vers l'intérieur	p. 25
4.4	Installation de la bride de fixation arrière avec ouverture vers l'extérieur	p. 25
4.5	Installation de la bride de fixation avant avec ouverture vers l'extérieur	p. 25
4.6	Installation du motoréducteur	p. 26
4.7	Raccordements électriques	p. 26
4.8	Réglage de la butée mécanique en ouverture	p. 26
4.9	Remplacement de DEL - 24 Vdc	p. 26
5	Essai et mise en service	p. 26
5.1	Essai	p. 26
5.2	Mise en service	p. 26
6	Images	p. 37
7	Déclaration CE de conformité	p. 43

1 - AVERTISSEMENTS POUR LA SÉCURITÉ

ATTENTION !

INSTRUCTIONS ORIGINALES – importantes consignes de sécurité. Il est important, pour la sécurité des personnes, de respecter les consignes de sécurité suivantes. Conserver ces instructions. Lire attentivement les instructions avant d'effectuer l'installation.

La conception et la fabrication des dispositifs qui composent le produit et les informations contenues dans ce guide respectent les normes de sécurité en vigueur. Néanmoins, une installation et une programmation erronées peuvent causer de graves blessures aux personnes qui exécutent le travail et à celles qui utiliseront l'installation. C'est pourquoi il est important, durant l'installation, de suivre scrupuleusement toutes les instructions fournies dans ce guide.

Ne pas effectuer l'installation en cas de doute, de quelque nature que ce soit, et, au besoin, demander des éclaircissements au service après-vente de Key Automation.

Pour la législation européenne, la réalisation d'une porte ou d'un portail automatique doit respecter les normes prévues par la directive 2006/42/CE (directive Machines) et, en particulier, les normes EN 12453, EN 12635 et EN 13241-1, qui permettent de déclarer la conformité de l'automatisme.

C'est pourquoi le branchement définitif de l'automatisme au réseau électrique, la réception de l'installation, sa mise en service et la maintenance périodique doivent être confiés à du personnel qualifié et spécialisé qui interviendra selon les instructions fournies dans la section « Réception et mise en service de l'automatisme ».

De plus, il devra se charger de procéder aux essais prévus en fonction des risques présents et vérifier le respect de toutes les prescriptions des lois, normes et règlements : en particulier, le respect de toutes les exigences de la norme EN 12453 qui définit les méthodes d'essai pour la vérification des automatismes pour portes et portails.

ATTENTION !

Avant de commencer l'installation, effectuer les analyses et vérifications suivantes :

vérifier que chacun des dispositifs destinés à l'automatisme est adapté à l'installation à réaliser. A ce sujet, contrôler tout particulièrement les données indiquées dans le chapitre « Caractéristiques techniques ». Ne pas effectuer l'installation si ne serait-ce qu'un seul de ces dispositifs n'est pas adapté à ce type d'utilisation ;

vérifier que les dispositifs achetés sont suffisants pour garantir la sécurité de l'installation et son bon fonctionnement ;

effectuer l'analyse des risques, qui doit aussi comprendre la liste des exigences essentielles de sécurité contenues dans l'annexe I de la directive Machines, en indiquant les solutions adoptées. L'analyse des risques est l'un des documents qui constituent le dossier technique de l'automatisme. Ce dernier doit être rédigé par un installateur professionnel.

Compte tenu des situations de risque qui peuvent se présenter durant les phases d'installation et d'utilisation du produit, il est nécessaire d'installer l'automatisme en respectant les consignes suivantes :

ne pas apporter de modifications à une quelconque partie de l'automatisme, en dehors de celles qui sont prévues dans ce guide. Ce type d'interventions ne peut que causer des problèmes de fonctionnement. Le constructeur décline toute responsabilité en cas de dommages dérivant de produits modifiés de manière arbitraire ; il faut faire en sorte que les pièces des composants de l'automatisme ne soient jamais plongées dans l'eau ni dans d'autres substances liquides. Durant l'installation, éviter que des liquides puissent pénétrer à l'intérieur des dispositifs présents ;

si le câble d'alimentation est détérioré, il doit être remplacé par le constructeur, par son service après-vente ou, dans tous les cas, par une personne ayant une qualification similaire, de manière à prévenir tout risque éventuel ;

si des substances liquides pénètrent à l'intérieur des pièces des composants de l'automatisme, débrancher immédiatement l'alimentation électrique et s'adresser au service après-vente Key Automation. L'utilisation de l'automatisme dans ces conditions peut être source de danger ;

ne pas mettre les différents composants de l'automatisme à proximité de sources de chaleur et ne pas les exposer à des flammes libres. Ces actions peuvent les endommager et causer des problèmes de fonctionnement, un incendie ou des dangers ;

L'unité doit être débranchée de la source d'alimentation durant le nettoyage, la maintenance et le remplacement de composants. Si le dispositif de mise hors tension ne peut pas être surveillé, il faut poser dessus un écriteau indiquant : « MAINTENANCE EN COURS » ;

tous les dispositifs doivent être raccordés à une ligne d'alimentation électrique avec mise à la terre de sécurité ;

le produit ne peut pas être considéré comme un système de protection efficace contre l'intrusion. Si vous souhaitez vous protéger efficacement, il faut intégrer d'autres dispositifs à l'automatisme ;

le produit ne peut être utilisé qu'après les opérations de « mise en service » de l'automatisme, comme cela est prévu dans le paragraphe « Réception et mise en service de l'automatisme » ;

prévoir dans le réseau d'alimentation de l'installation un dispositif de disjonction avec une distance d'ouverture des contacts qui garantisse la disjonction complète dans les conditions prévues par la catégorie de surtension III ;

pour le raccordement de tubes rigides et flexibles ou de passe-câbles, utiliser des raccords conformes à l'indice de protection IP55 ou supérieur ;

l'installation électrique en amont de l'automatisme doit être conforme aux normes en vigueur et être réalisée dans les règles de l'art ;

Les enfants de moins de 8 ans, les personnes souffrant d'un handicap physique, sensoriel ou mental ou les personnes sans expérience ou sans la connaissance nécessaire, ne peuvent utiliser l'appareil que sous surveillance ou après avoir reçu les instructions nécessaires pour utiliser l'appareil en toute sécurité et avoir bien compris les dangers qui peuvent en découler ;

si le câble d'alimentation est détérioré, il doit être remplacé par le constructeur, par son service après-vente ou, dans tous les cas, par une personne ayant une qualification similaire, de manière à prévenir tout risque éventuel ;

avant d'actionner l'automatisme, s'assurer que personne ne se trouve à proximité ;

avant d'effectuer une quelconque opération de nettoyage et de maintenance de l'automatisme, le débrancher du réseau électrique ;

les enfants doivent être surveillés afin de s'assurer qu'ils ne jouent pas avec l'appareil.

l'appareil ne peut pas être utilisé avec une porte automatisée, avec portillon piéton intégré.

ATTENTION !

Vérifier périodiquement l'installation pour s'assurer qu'elle ne présente pas de déséquilibres, de signes d'usure mécanique ou de dommages sur les câbles, les ressorts et les éléments de support. Ne pas utiliser si la réparation ou l'ajustement est nécessaire.

ATTENTION !

Les composants de l'emballage (carton, plastique, etc.), dûment séparés, doivent être placés dans les bacs appropriés. Les composants de l'appareil tels que les cartes électroniques, les pièces métalliques, les batteries, etc. doivent être séparés et différenciés. Pour les modalités d'élimination, les règles en vigueur sur le lieu d'installation doivent être appliquées. NE PAS JETER DANS L'ENVIRONNEMENT!



KEY AUTOMATION S.r.l. se réserve le droit de modifier les présentes instructions si nécessaire ; celles-ci et/ou une version supérieure peuvent être consultées sur le site www.keyautomation.com

2 - INTRODUCTION AU PRODUIT

2.1 - Description du produit

Les motoréducteurs RAY sont conçus pour une installation dans des systèmes automatisés de portails à battants.

Les motoréducteurs RAY sont conçus et fabriqués pour un montage sur portes battantes dans les limites de poids indiquées dans le

tableau de spécifications.

Il est interdit d'utiliser les motoréducteurs pour des applications différentes de celles indiquées précédemment.

2.2 - Modèle et caractéristiques techniques

CODE	DESCRIPTION
RAY2524	Motoréducteur pour portails battants d'une longueur de maximum 3 m ou poids maximum 500 kg, 24 Vdc
RAY4024E	Motoréducteur pour portails battants d'une longueur maximum de 4 m ou poids maximum 600 kg avec encoder, 24 Vdc
RAY4224E	Motoréducteur pour portails battants d'une longueur maximum de 4 m ou poids maximum 600 kg avec encoder, 24 Vdc
RAY40	Motoréducteur pour portails battants d'une longueur maximum de 4 m ou poids maximum 600 kg, 230 Vac
RAY40L	Motoréducteur pour portails battants d'une longueur maximum de 4 m ou poids maximum 600 kg, 230 Vac, lent
RAY2224	Motoréducteur pour portails battants d'une longueur maximum de 3 m ou poids maximum 300 kg, 24 Vdc
RAY4024R	Motoréducteur pour portails battants d'une longueur maximum de 4 m ou poids maximum 500 kg, 24 Vdc, réversible
RAY3024F	Motoréducteur pour portails battants d'une longueur maximum de 3 m ou poids maximum 300 kg, 24 Vdc avec encoder, fast

CARACTÉRISTIQUES TECHNIQUES	MODÈLE							
	RAY2524	RAY4024 RAY4024E	RAY4224E	RAY40	RAY40L	RAY2224	RAY4024R	RAY3024F
Vitesse	2,6 cm/s	1,5 cm/s	1,5 cm/s	1,6 cm/s	1 cm/s	2,6 cm/s	3 cm/s	3,8 cm/s
Force de poussée	1500 N	2000 N	2000 N	2000 N	1800 N	1500 N	1000 N	1000 N
Cycle/heure *	40	40	40	25	16	40	40	40
Temps ouverture 90°	18-25**	20-25**	20-25**	20-25**	32-40**	18-25**	15-20**	10-15**
Course utile	415 mm							
Logique de command	14AB	14AB2	CT20324	CT202	CT202	CT20324	14AB2	14AB2F
Alimentation	24 Vdc	24 Vdc	24 Vdc	230 Vac 50/60 Hz		24 Vdc		
Absorption	3,5 A	5 A	5 A	1,2 A	1,3 A	3,5 A	5 A	5 A
Puissance du moteur	85 W	120 W	120 W	280 W	300 W	85 W	120 W	120 W
Condensateur	-	-	-	8 µF	8 µF	-	-	-
Protection thermique	-	-	-	150 °C	150 °C	-	-	-
Lumière intégrée	si	si	no	-	-	-	si	si
Degré de protection	IP44							
Dimensions (L - P - H)	844-100-104 mm							
Poids	6 kg	8 kg	8 kg	8 kg	8 kg	6 kg	8 kg	8 kg
Température de fonctionnement	-20°+55°C							
Niveau d'émission sonore	≤ 70dB(A)							

* Avec porte sans panneaux à une température de 20°C

** Avec des hauteurs d'installation optimales

3 - CONTRÔLES PRÉLIMINAIRES

Avant d'installer le produit, vérifier les points suivants :

- Vérifier que le portail ou la porte soient adaptés à une automatisation
- Le poids et la taille du portail ou de la porte doivent rester dans les limites admissibles indiquées dans la Fig.2.
- Vérifier la présence et la solidité des arrêts mécaniques de sécurité du portail ou de la porte
- Vérifier que la zone de fixation du produit ne soit pas soumise à inondation
- Des conditions d'acidité ou salinité élevées ou la proximité de sources de chaleur pourraient provoquer des dysfonctionnements sur le produit
- En présence de conditions climatiques extrêmes (par exemple en présence de neige, gel, forte amplitude thermique, température élevée) les frottements pourraient augmenter impliquant une force

nécessaire au mouvement et au démarrage initial supérieure à celle nécessaire en conditions normales.

- Vérifier que le mouvement manuel du portail ou de la porte soit fluide et sans friction notable ou s'il existe un risque de déraillement.
- Vérifier que le portail ou la porte soit en équilibre et restent donc immobile en cas d'arrêts dans n'importe quelle position.
- Vérifier que le circuit électrique auquel le produit sera raccordé soit équipé d'une mise à la terre de sécurité adaptée et protégé par un dispositif magnétothermique et différentielle.
- Sur le réseau d'alimentation, prévoir un dispositif de déconnexion avec une distance d'ouverture des contacts permettant la déconnexion complète dans les conditions indiquées par la catégorie de surtension III.
- Vérifier que l'intégralité de l'équipement utilisé pour l'installation soit conforme aux normes en vigueur.

4 - INSTALLATION DU PRODUIT

4.1 - Installation

⚠ ATTENTION !

L'installateur doit vérifier que la plage de températures indiquée sur le dispositif d'automatisation est adaptée au lieu où il doit être installé.

⚠ ATTENTION !

L'automatisme doit obligatoirement être pourvu d'un bord sensible pour protéger tous les points à risque d'écrasement (mains, pieds, etc.) conformément aux exigences de la norme EN 13241-1.

⚠ ATTENTION !

Le portail doit être équipé de butées d'arrêt en ouverture et en fermeture afin d'empêcher le dépassement de course du portail.

Avant de procéder à l'installation, vérifier l'intégrité du produit et que tous les composants soient présents dans l'emballage (Fig.3). Vérifier également que la zone de fixation du motoréducteur est compatible avec les dimensions d'encombrement (fig. 1).

Vérifier l'angle d'ouverture admis en fonction des points de fixation des brides sur le graphique de la fig. 4 pour l'ouverture vers l'intérieur. En cas d'ouverture vers l'extérieur, se référer au graphique de la fig. 4.1.

La Fig.6 illustre un exemple d'installation type :

Motoréducteurs (1)
Cellules photoélectriques (2)
Colonnes pour cellules photoélectriques (3)
Voyant clignotant avec antenne incorporée (4)
Interrupteur à clé ou clavier numérique (5)
Centrale de commande (6)
Bord sensible (7)

4.2 - Installation de la bride de fixation arrière avec ouverture vers l'intérieur

La position de fixation du chevron arrière est indiquée sur le graphique (Fig.4).

Important : les installations proposant des valeurs « A » et « B » (Fig.4) les plus semblables possibles sont préférées (l.o. = ligne optimale).

Relevez la hauteur C trouvée et tracez une ligne horizontale qui détermine la valeur de la hauteur B(*), comme le montre l'exemple de la fig.4b; le point d'intersection avec la ligne "l.o." (ligne optimale) détermine la valeur de l'angle d'ouverture maximum; à partir de ce point, tracer une ligne verticale comme cela est montré

dans l'exemple de la fig.4b afin de déterminer la valeur de la hauteur A. Si l'angle trouvé ne correspond pas à vos exigences, veuillez adapter la hauteur A et, le cas échéant, la hauteur B, de façon à ce qu'elles soient semblables entre elles.

(* Il est recommandé de ne pas utiliser de valeurs pour la hauteur B qui soit au-dessous de la ligne "l.o."

Si nécessaire, couper le chevron arrière (Fig. 7) jusqu'à obtenir la valeur « B », puis souder le chevron au mur.

Fixer ensuite le chevron de fixation au mur en utilisant soudage, des vis ou des chevilles (non incluses).

4.3 - Installation de la bride de fixation avant avec ouverture vers l'intérieur

Le chevron avant doit être fixé au battant en fonction de la hauteur « E » du tableau 1 (Fig.5).

Remarque : en cas d'installation de la butée de fermeture, réduire la

hauteur « E » à 40 mm.

Le chevron avant doit être fixé à la même hauteur que le chevron arrière (Fig.8).

4.4 - Installation de la bride de fixation arrière avec ouverture vers l'extérieur

Pour l'ouverture vers l'extérieur, l'accessoire EXRB est nécessaire. Déterminer la cote « C1 ». Si la cote « C1 » est inférieure ou égale à 130 mm, se référer à la fig. 5.1A ; si elle est supérieure à 130 mm, se référer à la fig 5.1B.

Pour déterminer la valeur de la cote « B1 », tracer une ligne hori-

zontale à partir de la valeur de la cote « C1 » (fig. 4.1) ; le point de croisement entre les zones du graphique détermine les valeurs de la cote « A1 » possibles.

Après avoir fixé au mur la bride de fixation arrière, visser les brides en option EXRB comme indiqué sur les fig. 5.1A ou 5.1B.

4.5 - Installation de la bride de fixation avant avec ouverture vers l'extérieur

La bride avant doit être fixée au vantail selon les cotes « E1 » (tab. 2, fig. 5.1) et doit être fixée à la même hauteur que la bride arrière

(fig. 8).

4.6 - Installation du motoréducteur

Ouvrir la trappe pour déverrouiller et dévisser les 2 vis fixant le carter arrière (Fig.9A).
Retirer le carter supérieur en le faisant coulisser d'abord légèrement vers l'arrière (Fig.9A)
Appuyer le motoréducteur sur le chevron arrière et insérer la vis de fixation (Fig.9B).

Insérer le pivot du chevron de coulissement dans la douille du chevron avant et le fixer avec la vis et la rondelle fournies en dotation (Fig.9C).
Serrer sans forcer avec l'écrou et la rondelle la vis de la bride arrière montée précédemment (fig. 9D).

4.7 - Raccordements électriques

Desserrer le presse-étoupe et brancher le cordon d'alimentation (Fig.13).
Brancher les fils du câble d'alimentation à la plaque de connexion conformément au schéma de câblage (Fig.14).
Revisser le presse-étoupe.

Remettre le couvercle supérieur en le faisant d'abord coulisser légèrement en avant.
Ouvrir la trappe et visser les 2 vis maintenant le carter arrière.

4.8 - Réglage de la butée mécanique en ouverture

Débloquer le motoréducteur (Fig.11).
Desserrer la vis de la butée mécanique jusqu'à ce que la butée soit en mesure de coulisser.
Ouvrir manuellement le battant jusqu'au point d'ouverture désiré.
Faire entrer en contact la butée mécanique avec le pivot du chevron de coulissement et la fixer en position en utilisant la vis (Fig.12).

En cas de nécessité de régler également la butée mécanique en fermeture (en option), répéter la même procédure, en fermant cette fois-ci manuellement le battant jusqu'au point de fermeture désiré.
N.B. La course utile se réduit de 40 mm pour chaque fin de course installé.

4.9 - Remplacement de DEL - 24 Vdc

Couper l'alimentation électrique.
Avec un tournevis, dévisser la vis inférieure (Fig.15a).
Extraire le support puis la bande à DEL (Fig.15a).
Débrancher le connecteur (Fig.15b).

Brancher les nouvelles DEL et les insérer dans le support.
Insérer le support en commençant par le côté du joint et procéder en le fixant à l'aide de la vis.

5 - ESSAI ET MISE EN SERVICE DE L'AUTOMATION

L'essai du système doit être effectué par un technicien qualifié.
Celui-ci procèdera aux essais requis par la norme relative en fonction des risques présents, et vérifiera l'adéquation aux prescrip-

tions normatives, en particulier celles de la norme EN 12453 indiquant les méthodes d'essai pour les automatismes relatifs aux portes et portails.

5.1 Essai

Tous les composants de l'installation doivent être testés en suivant les procédures indiquées dans les manuels d'instructions respectifs.

Vérifier que les indications fournies au Chapitre 1 – Avertissements pour la sécurité aient été respectées.
Vérifier que le portail ou la porte puissent bouger librement une fois l'automation débloquée, qu'ils soient en équilibre et qu'ils restent donc immobiles lorsqu'ils sont laissés dans n'importe quelle position.

Vérifier que tous les dispositifs reliés fonctionnent correctement (cellules photo-électriques, bords sensibles, boutons d'urgence, autres) en effectuant des essais d'ouverture, de fermeture et d'arrêt du portail ou de la porte à l'aide des dispositifs de commande reliés (transmetteurs, touches, sélecteurs).

Procéder à la mesure de la force d'impact conformément à la norme EN 12453 en réglant les fonctions de vitesse, force moteur et ralentissement de la centrale si les mesures ne sont pas satisfaisantes, jusqu'à obtention du réglage adapté.

5.2 Mise en service

Une fois l'essai de tous les dispositifs du système réussi (et non de seulement quelques-uns), il est possible de procéder à la mise en service.

Il est nécessaire de réaliser et de conserver pendant 10 ans le fascicule technique de l'installation, lequel devra contenir le schéma électrique, le dessin ou photo de l'installation, l'analyse des risques et les solutions adoptées, la déclaration de conformité du fabricant de tous les dispositifs reliés, le manuel d'instructions de tous les dispositifs et le programme d'entretien du système.

Apposer la plaque d'identification de l'automation sur laquelle figurent le nom du responsable de la mise en service, le numéro de matricule et l'année de construction ainsi que la marque CE

directement sur le portail ou sur la porte.

Fixer une plaque indiquant les opérations nécessaires pour procéder au déblocage manuel du système.

Réaliser et remettre à l'utilisateur final la déclaration de conformité, les instructions et les avertissements destinés à l'utilisateur final ainsi que le programme d'entretien de l'installation.

Vérifier que l'utilisateur ait bien compris le fonctionnement automatique, manuel et de secours de l'automatisme.

Informez, également par écrit, l'utilisateur final des dangers et des risques résiduels.

ÍNDICE

1	Advertências para a segurança	pág. 27
2	Introdução ao produto	pág. 28
2.1	Descrição do produto	pág. 28
2.2	Modelo e características técnicas	pág. 28
3	Verificações preliminares	pág. 28
4	Instalação do produto	pág. 29
4.1	Instalação	pág. 29
4.2	Instalação da placa de fixação posterior com abertura para dentro	pág. 29
4.3	Instalação da placa de fixação dianteira com abertura para dentro	pág. 29
4.4	Instalação da placa de fixação posterior com abertura para fora	pág. 29
4.5	Instalação da placa de fixação dianteira com abertura para fora	pág. 29
4.6	Instalação do motorreductor	pág. 30
4.7	Instalações eléctricas	pág. 30
4.8	Regulagem do fim de curso mecânico na abertura	pág. 30
4.9	Substituição led - 24 Vdc	pág. 30
5	Teste e colocação em serviço	pág. 30
5.1	Teste	pág. 30
5.2	Colocação em serviço	pág. 30
6	Imagens	pág. 37
7	Declaração CE de conformidade	pág. 43

1 - ADVERTÊNCIAS PARA A SEGURANÇA

ATENÇÃO !

INSTRUÇÕES ORIGINAIS – instruções importantes de segurança. É importante para a segurança das pessoas observar as seguintes instruções de segurança. Conservar estas instruções. Ler com atenção as instruções antes de instalar.

O projeto e o fabrico dos dispositivos que compõem o produto e as informações presentes neste manual respeitam as normas vigentes sobre segurança. Porém, a instalação ou a programação inadequada podem causar feridas graves às pessoas que fazem o trabalho e às que utilizarão o sistema. Por este motivo, durante a instalação, é importante seguir com atenção todas as instruções deste manual.

Não fazer a instalação se houver dúvidas de qualquer natureza e solicitar eventuais esclarecimentos ao serviço de Assistência Key Automation.

De acordo com a legislação Europeia, a realização de uma porta ou de um portão automático deve respeitar as normas previstas pela diretiva 2006/42/CE (Diretiva Máquinas) e, em especial, as normas EN 12453; EN 12635 e EN 13241-1, que permitem declarar a conformidade da automação.

Tendo em conta o que precede, a ligação definitiva do automatismo à rede elétrica, o ensaio do sistema, a sua colocação em serviço e a manutenção periódica devem ser feitas por pessoal qualificado e experiente, respeitando as instruções indicadas na caixa “Ensaio e colocação em serviço da automação”.

Além disso, deverá definir os ensaios previstos de acordo com os riscos presentes e verificar que sejam cumpridas as leis, normas e regulamentos, sobretudo todos os requisitos da norma EN 12453 que estabelece os métodos de ensaio para o controlo dos automatismos para portas e portões.

ATENÇÃO !

Antes de iniciar a instalação, fazer as seguintes análises e controlos.

Verificar se todos os dispositivos destinados à automação são adequados ao sistema a realizar. Para tal, controlar cuidadosamente os dados no capítulo “Características técnicas”. Não fazer a instalação mesmo se apenas um destes dispositivos não for apropriado para a utilização.

Verificar se os dispositivos adquiridos são suficientes para garantir a segurança do sistema e o seu funcionamento.

Analisar os riscos, verificando também a lista dos requisitos essenciais de segurança constantes do Anexo I da Diretiva Máquinas, e indicar as soluções adotadas. A análise dos riscos é um dos documentos que fazem parte do processo técnico da automação. O processo deve ser preenchido por instalador profissional.

Considerando as situações de risco que podem ocorrer durante as fases de instalação e de utilização do produto, é necessário instalar a automação, observando as seguintes indicações:

não fazer modificações em nenhuma parte do automatismo se não as indicadas neste manual. Operações deste tipo podem causar funcionamento defeituoso. O fabricante declina qualquer responsabilidade por danos que resultam de produtos alterados de forma abusiva.

Evitar que as partes dos componentes da automação possam ficar submersas em água ou em outros líquidos. Durante a instalação, evitar que os líquidos possam penetrar nos dispositivos presentes;

Se o fio elétrico estiver danificado, este deve ser substituído pelo fabricante ou por seu serviço de assistência técnica ou, todavia, por uma pessoa com qualificação similar, de modo a prevenir qualquer risco; Se substâncias líquidas penetrarem nas partes dos componentes da automação, desligar de imediato a alimentação elétrica e contactar o serviço de Assistência Key Automation. A utilização da automação nestas condições pode causar situações de perigo.

Manter os componentes da automação afastados do calor e de chama aberta. Isso pode danificá-los e ser causa de funcionamento defeituoso, incêndio ou situações de perigo.

ATENÇÃO !

A unidade deve ser desligada da fonte de alimentação durante a limpeza, manutenção e substituição de componentes. Se o dispositivo de desligar não for visível, colocar um aviso com a seguinte mensagem: “MANUTENÇÃO EM CURSO”.

Todos os dispositivos devem ser ligados a uma instalação elétrica equipada com ligação à terra de segurança.

O produto não pode ser considerado um sistema de proteção eficaz contra a intrusão. Se desejar proteger-se de forma eficaz, é necessário agregar na automação outros dispositivos.

O produto só pode ser utilizado depois que foi feita a “colocação em serviço” da automação, conforme previsto no parágrafo “Ensaio e colocação em serviço da automação”.

Instalar na rede de alimentação do sistema um dispositivo de corte de corrente com uma distância de abertura entre os contactos que permita cortar a corrente completamente nas condições estabelecidas pela categoria de sobretensão III.

Para a ligação de tubos rígidos e flexíveis ou passa-fios, utilizar ligações conformes ao grau de proteção IP55 ou superior.

O sistema elétrico a montante da automação deve cumprir as normas vigentes e ser realizado como manda a lei.

o aparelho pode ser utilizado por crianças de idade não inferior a 8 anos e por pessoas com capacidade física, sensorial ou mental reduzida, ou que não tenha experiência ou a consciência necessária, à condição que sob supervisão ou depois de terem recebido instruções sobre a utilização segura do aparelho e se compreendem os perigos existentes;

Antes de ligar a automação, assegurar-se que as pessoas não estejam perto da mesma.

Antes de fazer qualquer operação de limpeza e de manutenção da automação, desligar da corrente elétrica.

Deve-se ter cuidado para evitar o esmagamento entre a parte guiada e eventuais elementos fixos circundantes.

As crianças devem ser supervisionadas para garantir que não brinquem com o aparelho.

o aparelho não pode ser utilizado com uma porta automatizada que possui uma porta para peões.

ATENÇÃO !

Examine periodicamente o sistema para verificar se há desalinhamentos ou sinais de desgaste mecânico, danos nos cabos, molas, peças de suporte.

Não use se é necessária a reparação ou ajuste.

ATENÇÃO !

Os componentes da embalagem (papelão, plástico, etc.), devidamente separados, devem ser colocados nas lixeiras apropriadas. Os componentes do dispositivo, como placas eletrônicas, partes metálicas, baterias, etc., devem ser separados e diferenciados. Para os métodos de eliminação, devem ser aplicadas as regras em vigor no local de instalação. NÃO DESCARTE NO MEIO AMBIENTE!



A KEY AUTOMATION S.r.l. reserva-se o direito de modificar as presentes instruções quando necessário; estas e/ou versões superiores podem ser encontradas no site www.keyautomation.com

2 - INTRODUÇÃO AO PRODUTO

2.1 - Descrição do produto

Os motoredutores RAY são projetados para a instalação em sistemas de automação para portões de batente. Os motoredutores RAY são projetados e fabricados para montagem em portas de batentes nos limites de peso listados na tabela

de especificações. É proibida a utilização dos motorreductores para aplicações diferentes das que foram indicadas anteriormente.

2.2 - Modelos e características técnicas

CÓDIGO	DESCRIÇÃO
RAY2524	Motoredutor para portões de batente com comprimento máx de 3 m ou peso máx 500 kg, 24 Vdc
RAY4024E	Motoredutor para portões de batente com comprimento máx de 4 m ou peso máx 600 kg com encoder, 24 Vdc
RAY4224E	Motoredutor para portões de batente com comprimento máx de 4 m ou peso máx 600 kg com encoder, 24 Vdc
RAY40	Motoredutor para portões de batente com comprimento máx de 4 m ou peso máx 600 kg, 230 Vac
RAY40L	Motoredutor para portões de batente com comprimento máx de 4 m ou peso máx 600 kg, 230 Vac, lenta
RAY2224	Motoredutor para portões de batente com comprimento máx de 3 m ou peso máx 300 kg, 24 Vdc
RAY4024R	Motoredutor para portões de batente com comprimento máx de 4 m ou peso máx 500 kg, 24 Vdc, reversível
RAY3024F	Motoredutor para portões de batente com comprimento máx de 3m ou peso máx 300 kg, 24 Vdc com encoder, fast

DADOS TÉCNICOS	MODELLO							
	RAY2524	RAY4024 RAY4024E	RAY4224E	RAY40	RAY40L	RAY2224	RAY4024R	RAY3024F
Velocidade	2,6 cm/s	1,5 cm/s	1,5 cm/s	1,6 cm/s	1 cm/s	2,6 cm/s	3 cm/s	3,8 cm/s
Força de impulso	1500 N	2000 N	2000 N	2000 N	1800 N	1500 N	1000 N	1000 N
Ciclo/hora *	40	40	40	25	16	40	40	40
Tempo de abertura de 90 °	18-25**	20-25**	20-25**	20-25**	32-40**	18-25**	15-20**	10-15**
Curso útil	415 mm							
Comando Central	14AB	14AB2	CT20324	CT202	CT202	CT20324	14AB2	14AB2F
Alimentação	24 Vdc	24 Vdc	24 Vdc	230 Vac 50/60 Hz			24 Vdc	
Absorção	3,5 A	5 A	5 A	1,2 A	1,3 A	3,5 A	5 A	5 A
Potência do motor	85 W	120 W	120 W	280 W	300 W	85 W	120 W	120 W
Capacitor	-	-	-	8 µF	8 µF	-	-	-
Thermoprotection	-	-	-	150 °C	150 °C	-	-	-
Lâmpada embutida	si	si	no	-	-	-	si	si
Grau de proteção	IP44							
Dimensões (L - P - H)	844-100-104 mm							
Peso	6 kg	8 kg	8 kg	8 kg	8 kg	6 kg	8 kg	8 kg
Temperatura de funcionamento	-20°+55°C							
Nível de emissão sonora	≤ 70dB(A)							

* Com porta sem painéis a uma temperatura de 20°C

** Com as dimensões de fixação otimizados

3 - VERIFICAÇÕES PRELIMINARES

Antes de instalar o produto, verifique e controle os seguintes pontos:

- Verificar se o portão ou a porta são adequados para serem automatizados.
- O peso e tamanho do portão ou da porta tem de estar dentro dos limites máximos permitidos para a utilização especificados na Fig.2
- Verificar a presença e a solidez das paragens mecânicas de segurança do portão ou da porta
- Verificar se a zona de fixação do produto não está sujeita a inundações
- Condições de elevada acidez ou salinidade ou a proximidade de fontes de calor poderão causar avarias no produto
- Em caso de condições climáticas extremas (por exemplo, na presença de neve, gelo, elevada amplitude térmica, temperaturas elevadas) o atrito poderá aumentar e, portanto, a força necessária

para a movimentação e o impulso inicial poderão ser superiores aos necessários em condições normais.

Verificar se a movimentação manual do portão ou da porta é fluida e sem zonas de grande atrito ou se existe risco de descarrilhamento do mesmo

- Verificar se o portão ou a porta estão em equilíbrio e se permanecem parados caso sejam deixados em qualquer posição
- Verificar se a linha eléctrica à qual será ligado o produto possui ligação à terra de segurança e é protegida por um dispositivo magnetotérmico e diferencial
- Predisponha na rede de alimentação do sistema um dispositivo de desconexão com uma distância de abertura dos contactos que permita a desconexão completa nas condições exigidas pela categoria de sobretensão III
- Verificar se todo o material utilizado para a instalação está em conformidade com as normativas vigentes

4 - INSTALAÇÃO DO PRODUTO

4.1 - Instalação

⚠ ATENÇÃO !

O instalador deve verificar se a faixa de temperatura referida no dispositivo de automação é adequada para a posição em que deve ser instalado.

⚠ ATENÇÃO !

A automação deve ser necessariamente equipada de um barra de apalpação de proteção de todos os pontos de possível esmagamento (mãos, pés etc.) em conformidade com os requisitos previstos pela norma EN 13241-1.

⚠ ATENÇÃO !

O portão deve ser equipado com batentes de paragem na abertura e fecho que impedem o sobrecurso do portão.

Antes de prosseguir com a instalação, verifique a integridade do produto e que todos os componentes estejam no pacote (Fig.3). Verificar também se a zona de fixação do motorreductor é compatível com as dimensões (Fig. 1).

Verificar o ângulo de abertura, permitido consoante os pontos de fixação das placas, por meio do gráfico na Fig. 4 para a abertura para dentro. Em caso de abertura para fora, consultar o gráfico na Fig. 4.1.

A Fig.6 mostra uma instalação típica:

Motorredutores (1)
Fotocélulas (2)
Colunas para fotocélulas (3)
Luz intermitente com antena interna (4)
Interruptor de chave ou teclado digital (5)
Central de controle (6)
Borda sensível (7)

4.2 - Instalação da placa de fixação posterior com abertura para dentro

A posição de fixação do suporte posterior é determinada de acordo com o gráfico (Fig.4).

Importante: são preferíveis as instalações nas quais os valores "A" e "B" (Fig.4) sejam mais semelhantes entre si (l.o.=linha ideal).

Localize a medida C encontrada e marque uma linha horizontal que determina o valor da medida B(*), conforme ilustrado no exemplo da fig.4b; o ponto de encontro com a linha "l.o." (linha ideal) determina o valor do ângulo de abertura máxima; a partir deste ponto, marque uma linha vertical conforme ilustrado no exemplo da fig.4b para determinar o valor da medida A.

Se o ângulo encontrado não corresponder às próprias exigências, é necessário adequar a medida A e eventualmente a medida B, de modo que sejam semelhantes entre elas.

(*) Recomenda-se não utilizar valores de medida B abaixo da linha "l.s.".

Se necessário, corte o suporte traseiro (Fig. 7) para obter o valor "B", em seguida, solde o suporte à parede.

Fixe o suporte à parede com soldagem, parafusos ou buchas (não incluídos).

4.3 - Instalação da placa de fixação dianteira com abertura para dentro

O suporte frontal deve ser fixado ao portão de acordo com a dimensão de "E" da Tabela 1 (Fig.5).

Nota: se for montado o fim de curso de fechamento, reduza a

distância "E" de 40 mm.

O suporte frontal deve ser fixado na mesma altura do suporte traseiro (Fig.8).

4.4 - Instalação da placa de fixação posterior com abertura para fora

Para a abertura para fora, é necessário o acessório EXRB. Localizar a quota "C1". Se a quota "C1" for menor ou igual a 130 mm, consulte a Fig. 5.1A, e se for maior que 130 mm, consulte a Fig. 5.1B.

Para determinar o valor da quota "B1", traçar uma linha horizontal a partir valor da quota "C1" (Fig.4.1); o ponto de cruzamento

entre as áreas do gráfico determina os possíveis valores da quota "A1".

Depois de fixar a placa de fixação posterior ao muro, aparafusar as placas opcionais EXRB como referido na Fig. 5.1A ou Fig. 5.1B.

4.5 - Instalação da placa de fixação dianteira com abertura para fora

A placa anterior deve ser fixada à folha com base nas quotas "E1" (Tab. 2, Fig.5.1) e deve ser fixada à mesma altura da placa posterior

(Fig. 8).

4.6 - Instalação do motorreductor

Abra a porta para desbloquear e remover os 2 parafusos que fixam a tampa posterior (Fig. 9A).
Remova a tampa superior fazendo-a primeiro deslizar ligeiramente para 'voltar' (Fig. 9A)
Coloque o motorreductor no suporte traseiro e insira o parafuso de fixação (Fig. 9B).

Insira o pino do suporte do trilho na bucha de fixação frontal e fixe-o com o parafuso e arruela incluídos (Fig. 9C).
Fixar sem forçar com a porca e anilha o parafuso da placa de fixação posterior montada anteriormente (Fig. 9D).

4.7 - Instalações eléctricas

Solte o prensa cabo e conecte o cabo de alimentação (Fig. 13).
Conecte os fios do cabo de alimentação para o terminal de acordo com o diagrama eléctrico (Fig. 14).
Aperte novamente o prensa cabo.

Voltar a colocar a tampa superior deslizando-a primeiro ligeiramente para frente.
Abra a porta e aperte os dois parafusos que fixam a tampa traseira.

4.8 - Regulação do fim de curso mecânico na abertura

Desbloqueie o motorreductor (Fig. 11).
Solte o parafuso do fim de curso até que o fim de curso possa deslizar.
Abra a porta manualmente até atingir o ponto de abertura desejado.
Posicione o fim de curso no suporte de deslizamento e fixe-o no lugar com o parafuso (Fig. 12).

Se for necessário ajustar o fim de curso mecânico em fechamento (opcional), repita o mesmo procedimento, levando desta vez, manualmente o portão ao ponto de fechamento desejado.
N.B. O curso útil diminui 40 mm para cada fim de curso instalado.

4.9 - Substituição led - 24 Vdc

Desligue a fonte de alimentação.
Com a ajuda de uma chave de fenda, remova os parafusos na parte inferior (Fig. 15a).
Retire a tampa e retire a tira Led (Fig. 15a).

Desligue o conector (Fig. 15b).
Conecte o novo LED e insira-os na tampa.
Insira a tampa introduzindo primeiro a proteção da junta, em seguida fixe-a com o parafuso.

5 - TESTE E COLOCAÇÃO EM SERVIÇO DA MÁQUINA

O teste do sistema deve ser executado por um técnico qualificado que deve efectuar os testes solicitados pela normativa de referência em função dos riscos presentes, verificando o

cumprimento das disposições previstas pelas normativas, em particular a norma EN 12453 que indica os métodos de teste a máquinas para portas e portões.

5.1 Teste

Todos os componentes do sistema devem ser testados de acordo com os procedimentos indicados nos respectivos manuais de instruções.

Verifique se foram respeitadas as indicações do Capítulo 1 – Advertências para a segurança.

Verifique se o portão ou a porta pode movimentar-se livremente assim que o sistema electrónico estiver pronto para funcionar e se está em equilíbrio e permanece parado na posição desejada

Verifique o funcionamento correcto de todos os dispositivos ligados (fotocélulas, bordas sensíveis, botões de emergência, outros) efectuando testes de abertura, fechamento e paragem do portão ou da porta através dos dispositivos de comando ligados (transmissores, botões, selectores).

Realize as medições da força de impacto conforme previsto pela norma EN 12453 regulando as funções de velocidade, força motor e desacelerações da central, caso as medições não forneçam os resultados desejados até encontrar a configuração certa.

5.2 Colocação em serviço

Após o teste positivo de todos (e não apenas de alguns) dispositivos do sistema, o sistema pode ser operado.

É necessário realizar e conservar durante 10 anos o manual técnico do sistema que deverá incluir o esquema eléctrico, o desenho ou fotografia do sistema, a análise dos riscos e as soluções adoptadas, a declaração de conformidade do fabricante de todos os dispositivos ligados, o manual de instruções de cada dispositivo e o plano de manutenção do sistema.

Afixe no portão ou a porta uma placa com a indicação dos dados da máquina, o nome do responsável pela colocação em serviço, o número de matrícula, o ano de construção e a marca CE.

Afixe uma placa que indique as operações necessárias para desbloquear manualmente o sistema.

Faça e entregue ao utilizador final a declaração de conformidade, as instruções e advertências de utilização e o plano de manutenção do sistema.

- Verifique se o utilizador entendeu o correcto funcionamento automático, manual e de emergência do dispositivo.

Informe também por escrito o utilizador final acerca dos perigos e riscos presentes.

SPIS TREŚCI

1	Zalecenia dotyczące bezpieczeństwa	str. 33
2	Omówienie produktu	str. 34
2.1	Opis produktu	str. 34
2.2	Model i dane techniczne	str. 34
3	Kontrole wstępne	str. 34
4	Instalacja produktu	str. 35
4.1	Instalacja	str. 35
4.2	Montaż uchwyty mocującego tylnego, otwieranie w kierunku do wewnątrz	str. 35
4.3	Montaż uchwyty mocującego przedniego, otwieranie w kierunku do wewnątrz	str. 35
4.4	Montaż uchwyty mocującego tylnego, otwieranie w kierunku na zewnątrz	str. 35
4.5	Montaż uchwyty mocującego przedniego, otwieranie w kierunku na zewnątrz	str. 35
4.6	Instalacja motoreduktora	str. 36
4.7	Połączenia elektryczne	str. 36
4.8	Regulacja mechanicznego ogranicznika otwierania	str. 36
4.9	Wymiana diod led - 24 Vdc	str. 36
5	Próba techniczna i wprowadzenie do użytku	str. 36
5.1	Próba techniczna	str. 36
5.2	Wprowadzenie do użytku	str. 36
6	Ilustracje	str. 37
7	Deklaracja zgodności CE	str. 43

1 - ZALECENIA DOTYCZĄCE BEZPIECZEŃSTWA

! UWAGA !

INSTRUKCJA ORYGINALNA – ważne zalecenia dotyczące bezpieczeństwa. W celu zapewnienia bezpieczeństwa osób należy stosować się do poniższych zaleceń. Zachować niniejszą instrukcję.

Przed przystąpieniem do montażu zapoznać się uważnie z treścią instrukcji.

Procesy projektowania i produkcji urządzeń wchodzących w skład produktu, jak też informacje zawarte w niniejszej instrukcji, spełniają wymogi obowiązujących przepisów bezpieczeństwa. Pomimo tego nieprawidłowa instalacja oraz błędne programowanie mogą spowodować poważne obrażenia osób wykonujących montaż lub eksploatujących instalację. Dlatego też podczas wykonywania instalacji należy rygorystycznie stosować się do wszelkich zaleceń podanych w niniejszej instrukcji.

Nie kontynuować montażu w przypadku wystąpienia jakichkolwiek wątpliwości. Zwrócić się wcześniej o wyjaśnienia do serwisu technicznego Key Automation.

W myśl prawodawstwa europejskiego wykonanie bramy garażowej lub ogrodzeniowej z napędem powinno przebiegać zgodnie z wymogami Dyrektywy 2006/42/WE (Dyrektywa Maszynowa), a w szczególności zgodnie z wymogami norm EN 12453; EN 12635 oraz EN 13241-1, które umożliwiają wydanie deklaracji zgodności automatyki.

Zważając na powyższe, ostateczne podłączenie automatyki do sieci elektrycznej, odbiór instalacji, uruchomienie oraz konserwacja okresowa powinny być wykonywane przez wykwalifikowany i doświadczony personel. Zobowiązany on jest do stosowania się do zaleceń podanych w rozdziale „Odbiór techniczny i uruchomienie automatyki”.

Ponadto wspomniany personel zobowiązany jest do przeprowadzenia odpowiednich testów, w zależności od występujących zagrożeń, oraz do sprawdzenia, czy spełniane są wymogi odpowiednich przepisów, norm i uregulowań. W szczególności dotyczy to spełniania wszystkich wymogów normy EN 12453, która określa metody badań kontrolnych automatyki bram garażowych i ogrodzeniowych.

! UWAGA !

Przed przystąpieniem do montażu wykonać następujące analizy i kontrole:

Sprawdzić, czy poszczególne urządzenia automatyki są przydatne do danych celów i dostosowane do wykonywanej instalacji. W tym celu sprawdzić dokładnie dane podane w rozdziale „Parametry techniczne”. Nie przystępować do wykonywania instalacji w przypadku, gdy nawet jeden element nie nadaje się do użycia.

Sprawdzić, czy urządzenia obecne w zestawie są wystarczające do zapewnienia bezpieczeństwa instalacji oraz jej poprawnego działania.

Przeprowadzić analizę zagrożeń, która powinna obejmować również wykaz zasadniczych wymogów bezpieczeństwa, wymienionych w Załączniku I Dyrektywy Maszynowej, wraz ze wskazaniem zastosowanych rozwiązań. Analiza zagrożeń jest jednym z dokumentów wchodzących w zakres dokumentacji technicznej automatyki. Dokument powinien zostać wypełniony przez profesjonalnego instalatora.

Z uwagi na niebezpieczne sytuacje, które mogą wystąpić podczas montażu oraz używania produktu, produkt należy montować, przestrzegając następujących zaleceń:

Zabrania się dokonywania modyfikacji jakiegokolwiek części, jeżeli nie zostało to wyraźnie wskazane w niniejszej instrukcji. Niestosowanie się do powyższych zaleceń może stanowić przyczynę nieprawidłowego działania napędu. Producent nie ponosi żadnej odpowiedzialności z tytułu szkód powstałych w wyniku tego rodzaju modyfikacji.

w przypadku stwierdzenia uszkodzenia przewodu elektrycznego, powinien on zostać wymieniony przez producenta, autoryzowany serwis techniczny lub przez osobę posiadającą odpowiednie kwalifikacje, co zapobiegnie powstawaniu zagrożenia; Należy unikać zanurzania elementów układu automatyki w wodzie lub w innego rodzaju cieczach. Podczas montażu zwracać uwagę, aby żadnego rodzaju cieczy nie dostały się do wnętrza urządzeń.

W przypadku, gdyby płynne substancje przedostały się do wnętrza

elementów układu automatyki, odłączyć niezwłocznie zasilanie elektryczne i skontaktować się z serwisem technicznym Key Automation. Użytkowanie automatyki w powyższej sytuacji stanowi źródło zagrożenia.

Nie składować żadnego z elementów układu automatyki w pobliżu źródła ciepła oraz nie wystawiać na działanie otwartych płomieni. Może to spowodować uszkodzenia lub nieprawidłowe działanie, pożar bądź sytuację zagrożenia.

! UWAGA !

Jednostkę należy odłączyć od źródła zasilania na czas czyszczenia, konserwacji i wymiany komponentów. Jeżeli urządzenie odłączające nie jest widoczne, umieścić tablicę z napisem: „UWAGA TRWAJĄ PRACE KONSERWACYJNE”.

Wszystkie urządzenia należy podłączać do linii zasilania elektrycznego wyposażonej w uzziemienie zabezpieczające.

Produkt nie stanowi skutecznego systemu zabezpieczającego przed włamaniem. W przypadku konieczności takiego zabezpieczenia, automatykę należy poszerzyć o dodatkowe urządzenia.

Produkt może być używany wyłącznie po podłączeniu automatyki do uzziemienia, zgodnie z instrukcją podaną w paragrafie „Odbiór techniczny oraz uruchomienie automatyki”.

W sieci zasilania instalacji zamontować urządzenie odłączające, w którym odległość otwartych styków umożliwiać będzie całkowite odłączenie instalacji w warunkach określonych w III kategorii przepięciowej.

Na użytek podłączenia sztywnych lub elastycznych przewodów lub też przewodnic przewodów używać złączy posiadających stopień ochrony IP55 lub wyższy.

Instalacja elektryczna znajdująca się przed automatyką powinna spełniać wymogi obowiązujących przepisów oraz powinna zostać wykonana zgodnie z zasadami sztuki.

urządzenie może być obsługiwane przez dzieci w wieku powyżej 8 lat oraz przez osoby z ograniczonymi zdolnościami fizycznymi, sensorycznymi lub umysłowymi lub osoby nieposiadające wystarczającego doświadczenia albo wiedzy, jeśli osoby te pozostają pod nadzorem lub zostały pouczone w zakresie bezpiecznej obsługi urządzenia i są świadome związanych z tym zagrożeń; przed uruchomieniem automatyki upewnić się, że w pobliżu nie znajdują się żadne osoby; przed przystąpieniem do czynności czyszczenia i konserwacji automatyki, odłączyć ją od sieci elektrycznej; należy zachować szczególną uwagę, aby uniknąć zgniecenia pomiędzy elementem ruchomym a otaczającymi go elementami stałymi;

Dzieci powinny pozostawać pod opieką dorosłych, co wykluczy możliwość niewłaściwej obsługi urządzenia.

urządzenie nie może być wykorzystywane do obsługi bramy automatycznej, w którą wbudowane jest przejście dla pieszych.

! UWAGA !

Sprawdzać okresowo konstrukcję pod kątem utraty wyważenia, oznak zużycia mechanicznego, uszkodzenia przewodów, sprężyn lub części podporowych. Nie używać, jeżeli jest to konieczne naprawy lub regulacji.

! UWAGA !

Elementy opakowania (karton, plastik itp.), należy oddzielić, należy umieścić w odpowiednich pojemnikach. Elementy urządzenia, takie jak płytki elektroniczne, części metalowe, baterie itp. muszą być odseparowane i zróżnicowane. W przypadku metod utylizacji należy stosować przepisy obowiązujące w miejscu instalacji. **NIE WYRZUCAC DO ŚRODOWISKA!**



KEY AUTOMATION S.r.l. zastrzega sobie prawo do zmiany niniejszych instrukcji w razie konieczności; wersję aktualną lub wyższą można znaleźć na stronie internetowej www.keyautomation.com

2 - OMÓWIENIE PRODUKTU

2.1 - Opis produktu

Motoreduktory RAY są przeznaczone do instalacji w systemach automatyki do bram skrzydłowych.

Motoreduktory RAY zostały zaprojektowane i zbudowane w celu montażu na skrzydłach bram z uwzględnieniem ograniczeń

wagowych podanych w tabeli specyfikacji technicznych.

Zabrania się użycia motoreduktorów do zastosowań innych niż wskazane powyżej.

2.2 - Model i dane techniczne

KOD	OPIS
RAY2524	Motoreduktor do skrzydeł bram o maks. długości 3 m lub maks. 500 kg, 24 Vdc
RAY4024E	Motoreduktor do skrzydeł bram o maks. długości 4 m lub maks. 600 kg o encoder, 24 Vdc
RAY4224E	Motoreduktor do skrzydeł bram o maks. długości 4 m lub maks. 600 kg o encoder, 24 Vdc
RAY40	Motoreduktor do skrzydeł bram o maks. długości 4 m lub maks. 600 kg, 230 Vac
RAY40L	Motoreduktor do skrzydeł bram o maks. długości 4 m lub maks. 600 kg, 230 Vac, powolny
RAY2224	Motoreduktor do skrzydeł bram o maks. długości 3 m lub maks. 300 kg, 24 Vdc
RAY4024R	Motoreduktor do skrzydeł bram o maks. długości 4 m lub maks. 500 kg, 24 Vdc, samonawrotny
RAY3024F	Motoreduktor do skrzydeł bram o maks. długości 3 m lub maks. 300 kg, 24 Vdc o encoder, fast

DANE TECHNICZNE	MODELE							
	RAY2524	RAY4024 RAY4024E	RAY4224E	RAY40	RAY40L	RAY2224	RAY4024R	RAY3024F
Prędkość	2,6 cm/s	1,5 cm/s	1,5 cm/s	1,6 cm/s	1 cm/s	2,6 cm/s	3 cm/s	3,8 cm/s
Siła pchania di spinta	1500 N	2000 N	2000 N	2000 N	1800 N	1500 N	1000 N	1000 N
Cykl/godzina	40	40	40	25	16	40	40	40
Czas otwarcia 90 °	18-25**	20-25**	20-25**	20-25**	32-40**	18-25**	15-20**	10-15**
Posuw użyteczny	415 mm							
Centralne Dowódtwo	14AB	14AB2	CT20324	CT202	CT202	CT20324	14AB2	14AB2F
Dostawa	24 Vdc	24 Vdc	24 Vdc	230 Vac 50/60 Hz		24 Vdc		
Pobór	3,5 A	5 A	5 A	1,2 A	1,3 A	3,5 A	5 A	5 A
Moc silnika	85 W	120 W	120 W	280 W	300 W	85 W	120 W	120 W
Kondensator	-	-	-	8 µF	8 µF	-	-	-
Zabezpieczenie termiczne	-	-	-	150 °C	150 °C	-	-	-
Wbudowane światło	si	si	no	-	-	-	si	si
Stopień ochrony	IP44							
Wymiary (L - P - H)	844-100-104 mm							
Waga	6 kg	8 kg	8 kg	8 kg	8 kg	6 kg	8 kg	8 kg
Temperatura robocza	-20°+55°C							
Poziom emisji hałasu	≤ 70dB(A)							

*przy standardowych wymiarach montażowych

** Zawsze obejmuje preparaty w temperaturze 20°C

3 - KONTROLE WSTĘPNE

Przed zainstalowaniem produktu należy:

- Skontrolować, czy brama lub drzwi nadają się do automatyzacji

- Waga i wymiary bramy lub drzwi muszą zawierać się w maksymalnych granicach zastosowania wskazanych na Rys.2

- Skontrolować obecność i solidność mechanicznych ograniczników bezpieczeństwa bramy lub drzwi

- Sprawdzić, czy miejsce zamocowania produktu nie jest miejscem podatnym na zalanie.

- Warunki podwyższonej kwasowości lub zasolenia oraz bliskość źródeł ciepła mogą powodować usterki w pracy produktu

- W ekstremalnych warunkach klimatycznych (takich jak na przykład śnieg, lód, nagła zmiana temperatury, wysokie temperatury) może dojść do wzmożonego tarcia i tym samym siła potrzebna do poruszania skrzydła oraz początkowa moc rozruchowa mogą być większe niż w normalnych warunkach.

- Skontrolować, czy ręczne przesuwanie bramy lub drzwi przebiega płynnie i czy brak jest odcinków o zwiększonym tarcu oraz czy nie ma niebezpieczeństwa wykołowania się skrzydła

- Skontrolować, czy brama lub drzwi są w równowadze i czy przy pozostawieniu ich w dowolnej pozycji, pozostają w bezruchu

- Sprawdzić, czy linia elektryczna, do której będzie podłączony produkt, jest wyposażona w odpowiednie uziemienie zabezpieczające i czy jest chroniona przez wyłącznik magnetyczny i wyłącznik różnicowoprądowy

- Sieć zasilającą instalację należy wyposażyć w urządzenie rozłączające o takiej odległości rozwarcia styków, która umożliwi całkowite rozłączenie w warunkach określonych dla kategorii przepięć III.

- Sprawdzić, czy wszystkie materiały użyte do instalacji są zgodne z obowiązującymi przepisami

4 - INSTALACJA PRODUKTU

4.1 - Instalacja

! UWAGA !

Instalator musi sprawdzić, czy zakres temperatur podany na jednostce jest odpowiedni do miejsca, w którym ma być ona zainstalowana.

! UWAGA !

System automatyki musi być bezwzględnie wyposażony w listę krawędziową w celu ochrony przed potencjalnym zgnieceniem rąk i nóg, zgodnie z wymogami zawartymi w normie EN 13241-1.

! UWAGA !

Brama powinna być wyposażona w ograniczniki krańcowe na użytek otwierania i zamykania, zapobiegające wybiegowi bramy.

Przed rozpoczęciem instalacji, należy sprawdzić, czy produkt nie jest uszkodzony i czy wszystkie jego komponenty znajdują się w opakowaniu (Rys.3).

Sprawdzić również, czy strefa mocowania motoreduktora ma odpowiednie rozmiary dla danych wymiarów gabarytowych (rys. 1).

Sprawdzić kąt otwarcia, zapewniany przez punkty mocowania uchwytów mocujących na użytek otwierania do wewnątrz, w oparciu o wykres na rys. 4. W przypadku otwierania na zewnątrz wzorować się na wykresie na rys. 4.1.

Na rys.6 przedstawiono tytułem przykładu typowy sposób instalacji:

- Motoreduktory (1)
- Fotokomórki (2)
- Słupki do fotokomórek (3)
- Lampa sygnalizacyjna z wbudowaną anteną (4)
- Przełącznik kluczykowy lub klawiatura cyfrowa (5)
- Centrala sterująca (6)
- Listwa krawędziowa (7)

4.2 - Montaż uchwytu mocującego tylnego, otwieranie w kierunku do wewnątrz

Położenie, w którym mocowana jest obejmą tylna, należy określić na podstawie wykresu (Rys.4).

Ważne: w najlepszych rozwiązaniach instalacyjnych wartości „A” i „B” (Rys.4) są do siebie maksymalnie zbliżone (l.o.=linia optymalna). Wyznaczyć znaną wysokość C i, zaznaczyć poziomą linię, która wskazuje wartość wysokości B(*), jak w przykładzie na rys.4b; punkt skrzyżowania z linią „l.o.” (linia optymalna) wyznaczy wartość maksymalnego kąta otwarcia. Z tego punktu zaznaczyć pionową linię jak w przykładzie na rys.4b, aby wyznaczyć wartość wysokości A.

Jeżeli znaleziony kąt nie odpowiada wymaganiom, należy dostosować wysokość A i ewentualnie wysokość B, tak aby były podobne. (*) Zaleca się nie używać wartości wysokości B pod linią „l.s.”. W razie potrzeby, należy przeciąć obejmę tylną (Rys.7) tak, aby uzyskać wartość „B”, a następnie przyspawać ją do obejmę mocującej do muru.

Na koniec należy przymocować obejmę mocującą do muru przy spawanie, użyciu śrub lub kołków rozporowych (nieдостаarczonych na wyposażeniu).

4.3 - Montaż uchwytu mocującego przedniego, otwieranie w kierunku do wewnątrz

Obejmę przednią należy przymocować do skrzydła bramy zgodnie z wartością „E” w tabeli 1 (Rys.5).

Uwagi: jeśli montuje się również ogranicznik zamykania, należy zmniejszyć wartość „E” o 40 mm.

Obejmę przednią należy zamocować na tej samej wysokości co obejmą tylną (Rys.8).

4.4 - Montaż uchwytu mocującego tylnego, otwieranie w kierunku na zewnątrz

W przypadku otwierania na zewnątrz wymagany jest element dodatkowy EXRB. Ustalić wymiar „C1”. W przypadku gdy wymiar „C1” jest mniejszy lub równy 130 mm, patrz rys. 5.1A. W przypadku, gdy jest większy niż 130 mm, patrz rys. 5.1B.

Aby określić wymiar „B1”, wykreślić linię poziomą, wychodzącą z

wartości wymiaru „C1” (rys. 4.1); punkt przecięcia pół na wykresie wyznacza możliwe wartości wymiaru „A1”.

Po umocowaniu uchwytu mocującego tylnego do muru, umocować uchwyty w opcji EXRB, zgodnie ze wskazaniami na rys. 5.1A lub rys. 5.1B.

4.5 - Montaż uchwytu mocującego przedniego, otwieranie w kierunku na zewnątrz

Uchwyt przedni należy umocować do skrzydła w oparciu o wymiar „E1” (tab.2, rys.5.1), na tej samej wysokości, na jakiej znajduje się

uchwyt tylny (rys. 8).

4.6 - Instalacja motoreduktora

Otworzyć drzwiczki urządzenia odblokowującego i odkręcić 2 śruby mocujące pokrywę tylną (Rys. 9A).
Zdjąć pokrywę tylną, przesuwając ją najpierw lekko do tyłu (Rys. 9A).
Przyłożyć motoreduktor do obejmy tylnej i włożyć śrubę mocującą (Rys.9B).

Wprowadzić sworzeń obejmy przesuwu w tuleję obejmy przedniej i zamocować go przy użyciu śruby i podkładki dostarczonych na wyposażeniu (Rys.9C).
Dokręcić za pomocą nakrętki i podkładki, nie wywierając nadmiernej siły, śrubę wcześniej zamontowanego uchwyty tylnego (rys. 9D).

4.7 - Połączenia elektryczne

Poluzować przepust kablowy i wprowadzić kabel zasilający (Rys.13).
Przyłączyć przewody kabla zasilającego do tabliczki zaciskowej zgodnie ze schematem elektrycznym z (Rys.14).
Przykręcić przepust kablowy.

Zamontować pokrywę górną, przesuwając ją wcześniej nieznacznie w przód.
Otworzyć drzwiczki i przykręcić 2 śruby mocujące pokrywę tylną.

4.8 - Regulacja mechanicznego ogranicznika ruchu w otwieraniu

Odblokować motoreduktor (Rys.11).
Poluzować śrubę ogranicznika mechanicznego, tak aby ogranicznik mógł się przesuwać.
Otworzyć ręcznie skrzydło dożądanego miejsca.
Przesunąć ogranicznik do sworznia obejmy przesuwu i przymocować go przy użyciu śruby (Rys.12).

W przypadku, gdy konieczna jest regulacja również mechanicznego ogranicznika zamykania (opcjonalna), należy powtórzyć tę samą procedurę, przesuwając ręcznie skrzydło w żądane miejsce zamykania.
N.B. Długość przebiegu użytkowego zmniejsza się o 40 mm dla każdego zamontowanego wyłącznika krańcowego.

4.9 - Wymiana diod led - 24 Vdc

Odłączyć zasilanie elektryczne.
Przy użyciu śrubokręta odkręcić śrubę dolną (Rys.15a).
Wyjąć przesłonę i zdjąć taśmę led (Rys.15a).
Odłączyć łącznik (Rys.15b).

Przyłączyć nową taśmę led i założyć ją na przesłonę.
Wprowadzić przesłonę, wkładając jako pierwszą stronę z uszczelką, a następnie zamocować ją śrubą.

5 - PRÓBA TECHNICZNA I WPROWADZENIE DO UŻYTKU

Procedura testowania instalacji musi zostać przeprowadzona przez wykwalifikowanego technika. Zadaniem technika jest przeprowadzenie prób przewidzianych przepisami dla istniejącego

ryzyka, ustalając zgodność instalacji z obowiązującymi normami, a szczególnie z normą EN 12453, określającą metody prób dla systemów automatyki drzwi i bram.

5.1 Próba techniczna

Wszystkie komponenty instalacji muszą zostać poddane próbie technicznej, zgodnie z procedurami określonymi w instrukcjach obsługi

Skontrolować, czy przestrzegane są zalecenia Rozdziału 1 – Zalecenia dotyczące bezpieczeństwa
Skontrolować, czy po odblokowaniu systemu automatyki brama lub drzwi mogą poruszać się bez przeszkód, czy są w równowadze i czy pozostają w bezruchu przy zatrzymaniu ich w dowolnym położeniu

Skontrolować prawidłowe działanie wszystkich podłączonych urządzeń (fotokomórek, listew zabezpieczających, przycisków awaryjnych i innych), przeprowadzając próby otwierania, zamykania i zatrzymywania bramy lub drzwi za pomocą podłączonych urządzeń sterowania (nadajników, przycisków, przełączników)
Zmierzyć siłę uderzenia, zgodnie z postanowieniami normy EN 12453, regulując funkcje prędkości, siłę silnika i zwalnianie centrali, a w przypadku, gdy pomiary nie okażą się zadowalające, kontynuować regulację, aż do znalezienia prawidłowych ustawień

5.2 Wprowadzenie do użytku

Po uzyskaniu pozytywnego wyniku próby wszystkich (a nie tylko niektórych) urządzeń będących częścią instalacji, można wprowadzić produkt do użytku

Konieczne jest utworzenie i przechowywanie przez 10 lat dokumentacji technicznej instalacji, która musi zawierać schemat elektryczny, rysunek lub zdjęcie instalacji, analizę ryzyka i zastosowane rozwiązania, deklarację zgodności producenta odnośnie wszystkich podłączonych urządzeń, instrukcję obsługi każdego urządzenia i plan konserwacji instalacji

Na bramie lub drzwiach należy zamocować tabliczkę z danymi systemu automatyki, imieniem i nazwiskiem osoby odpowiedzialnej za wprowadzenie do użytku, numer seryjny, rok produkcji i oznaczenie

CE.

Zamocować tabliczkę określającą czynności konieczne do ręcznego odblokowania instalacji

Przygotować i dostarczyć użytkownikowi końcowemu deklarację zgodności, instrukcje i zalecenia na temat użytkowania kierowane do użytkownika końcowego oraz plan konserwacji instalacji
Upewnić się, czy użytkownik zrozumiał sposób prawidłowego działania systemu automatyki w trybie automatycznym, ręcznym i awaryjnym.

Należy poinformować użytkownika końcowego, również na piśmie, o istniejących niebezpieczeństwach i zagrożeniach

6 - IMAGES

Fig. 1 IT - Dimensioni d'ingombro
EN - Space dimensions
DE - Abmessungen
ES - Dimensiones

FR - Dimensions d'encombement
PT - Dimensões globais
PL - Wymiary

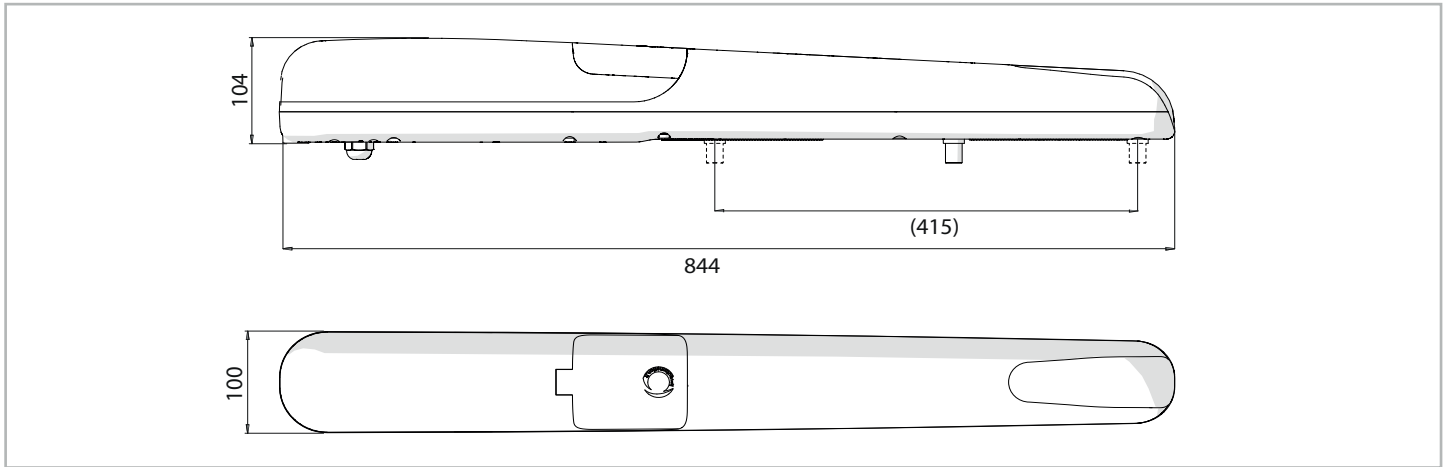


Fig. 2 IT - Limiti di impiego
EN - Use limitations
DE - Einsatzgrenzen
ES - Limites de uso

FR - Limites d'utilisation
PT - Limites de uso
PL - Ograniczenia użytkowania

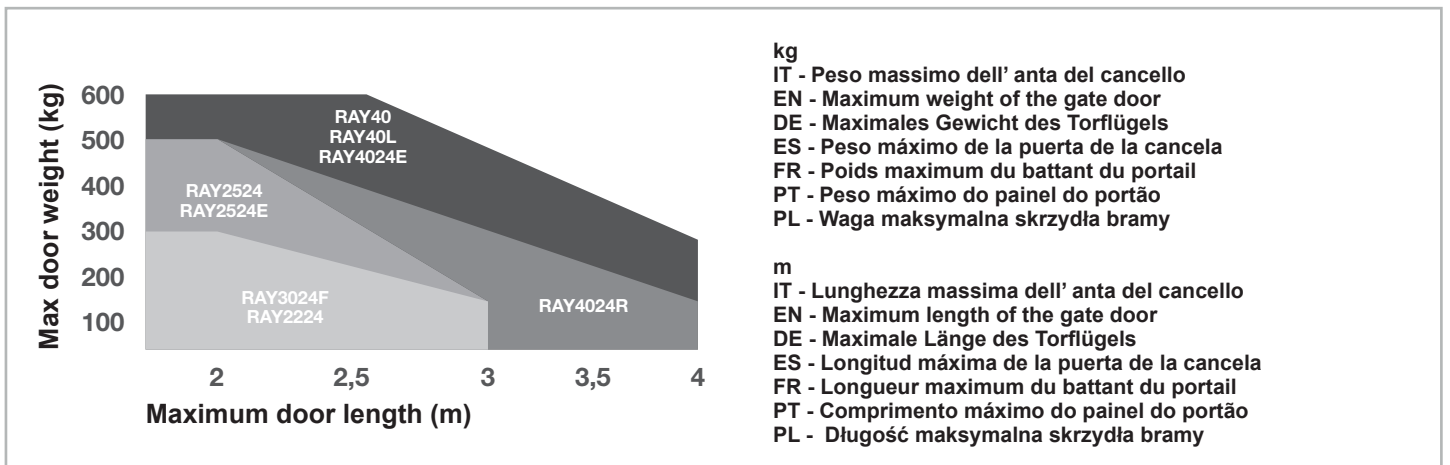
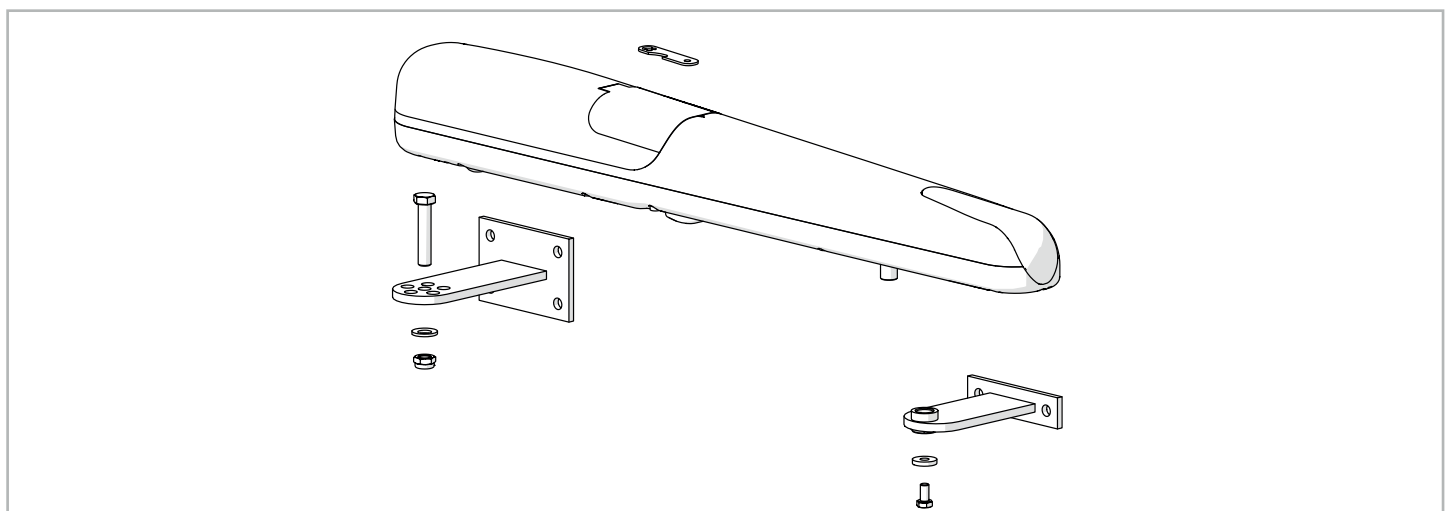


Fig. 3 IT - Componenti
EN - Components
DE - Bauteile
ES - Componentes

FR - Composants
PT - Componentes
PL - Komponenty



6 - IMAGES

Fig. 4 IT - Grafico angolo di apertura verso l'interno
 EN - Inward opening angle graph
 DE - Grafische Darstellung: Öffnungswinkel nach innen
 ES - Gráfico ángulo de apertura hacia el interior

FR - Schéma angle d'ouverture vers l'intérieur
 PT - Gráfico do ângulo de abertura para dentro
 PL - Wykres dla kąta rozwarcia w przypadku otwierania do wewnątrz

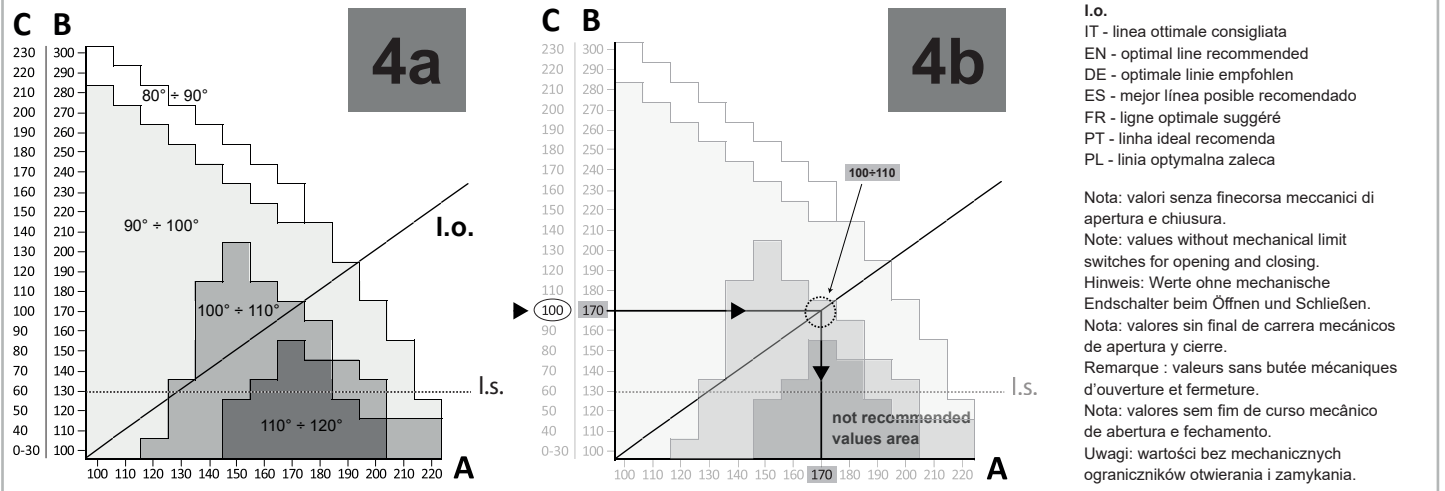


Fig. 4.1 IT - Grafico angolo di apertura verso l'esterno
 EN - Outward opening angle graph
 DE - Grafische Darstellung: Öffnungswinkel nach außen
 ES - Gráfico ángulo de apertura hacia el exterior

FR - Schéma angle d'ouverture vers l'extérieur
 PT - Gráfico do ângulo de abertura para fora
 PL - Wykres dla kąta rozwarcia w przypadku otwierania na zewnątrz

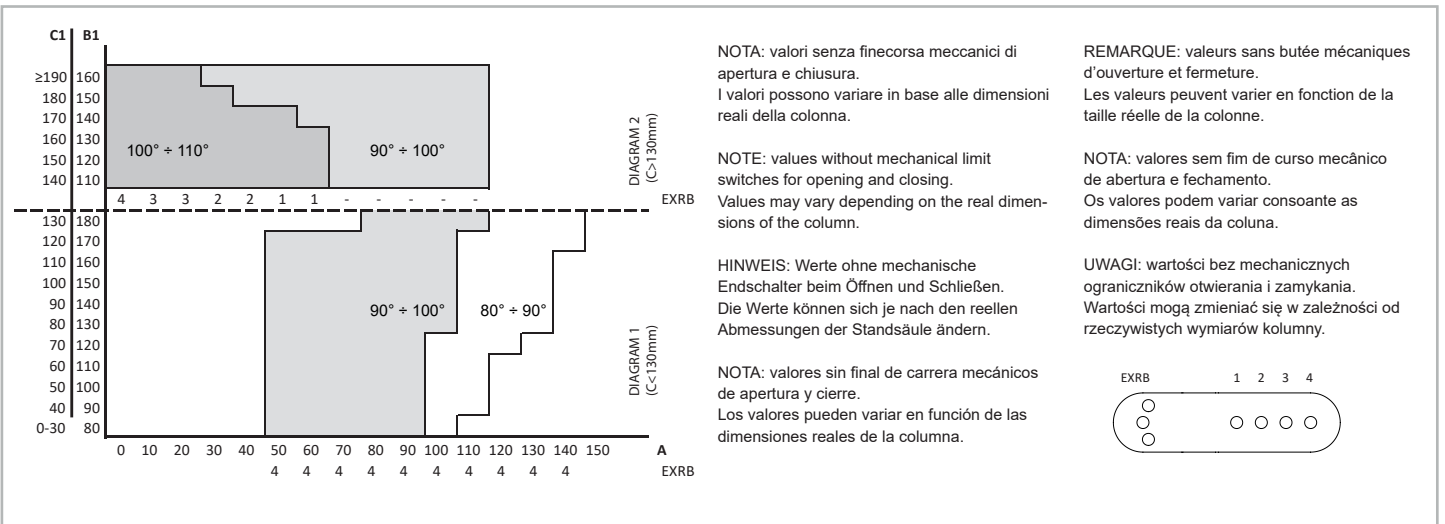


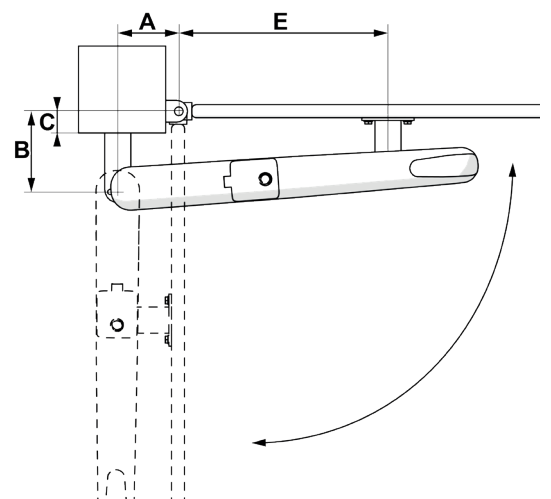
Fig. 5 IT - Rappresentazione quote "A" e "B"
 EN - "A" and "B" quotes representation
 DE - Darstellung der Werte "A" und "B"
 ES - Representación cuotas "A" y "B"

FR - Représentation hauteurs « A » et « B »
 PT - Quotas de representação "A" e "B"
 PL - Przedstawienie wartości "A" i "B"

IT **A**= distanza tra l'asse della cerniera e l'asse del foro del fissaggio posteriore.
E= distanza tra l'asse della cerniera e l'asse del foro del fissaggio anteriore.
 EN **A**= distance between the hinge axis and the axis of the hole for the rear mounting.
E= distance between the hinge axis and the axis of the hole for the front mounting.
 DE **A**= Entfernung zwischen der Achse des Scharniers und der Achse der hinteren Befestigungsbohrung.
E= Entfernung zwischen der Achse des Scharniers und der Achse der vorderen Befestigungsbohrung.
 ES **A**= distancia entre el eje de la bisagra y el eje del agujero de la fijación posterior.
E= distancia entre el eje de la bisagra y el eje del agujero de la fijación anterior.
 FR **A**= distance entre l'axe de la charnière et l'axe du trou de fixation arrière.
E= distance entre l'axe de la charnière et l'axe du trou de fixation avant.
 PT **A**= distância entre o pino da dobradiça e o eixo do furo na parte posterior da montagem.
E= distância entre o pino da dobradiça e o eixo do furo na parte anterior da montagem.
 PL **A**= odległość między osią zawiasu a osią otworu mocowania tylnego.
E= odległość między osią zawiasu a osią otworu mocowania przedniego.

Tab.1

A	E
100	650
110	640
120	630
130	620
140	610
150	600
160	590
170	580
180	570
190	560
200	550
210	540
220	530
230	520



6 - IMAGES

Fig. 5.1 IT - Rappresentazione quote "A" e "B"
EN - "A" and "B" quotes representation
DE - Darstellung der Werte "A" und "B"
ES - Representación cuotas "A" y "B"

FR - Représentation hauteurs « A » et « B »
PT - Quotas de representação "A" e "B"
PL - Przedstawienie wartości "A" i "B"

- IT** A= distanza tra l'asse della cerniera e l'asse del foro del fissaggio posteriore.
 E= distanza tra l'asse della cerniera e l'asse del foro del fissaggio anteriore.
- EN** A= distance between the hinge axis and the axis of the hole for the rear mounting.
 E= distance between the hinge axis and the axis of the hole for the front mounting.
- DE** A= Entfernung zwischen der Achse des Scharniers und der Achse der hinteren Befestigungsbohrung.
 E= Entfernung zwischen der Achse des Scharniers und der Achse der vorderen Befestigungsbohrung.
- ES** A= distancia entre el eje de la bisagra y el eje del agujero de la fijación posterior.
 E= distancia entre el eje de la bisagra y el eje del agujero de la fijación anterior.
- FR** A = distance entre l'axe de la charnière et l'axe du trou de fixation arrière.
 E = distance entre l'axe de la charnière et l'axe du trou de fixation avant.
- PT** A= distância entre o pino da dobradiça e o eixo do furo na parte posterior da montagem.
 E= distância entre o pino da dobradiça e o eixo do furo na parte anterior da montagem.
- PL** A= odległość między osią zawiasu a osią otworu mocowania tylnego.
 E= odległość między osią zawiasu a osią otworu mocowania przedniego.

	C1	E1	
Fig.5.1B	≥ 190	560	
	180	570	
	170	580	
	160	590	
	150	600	
	140	610	
	Fig.5.1A	130	480
		120	490
		110	500
		100	510
90		520	
80		530	
70		540	
60		550	
50		560	
40		570	
0-30	580		

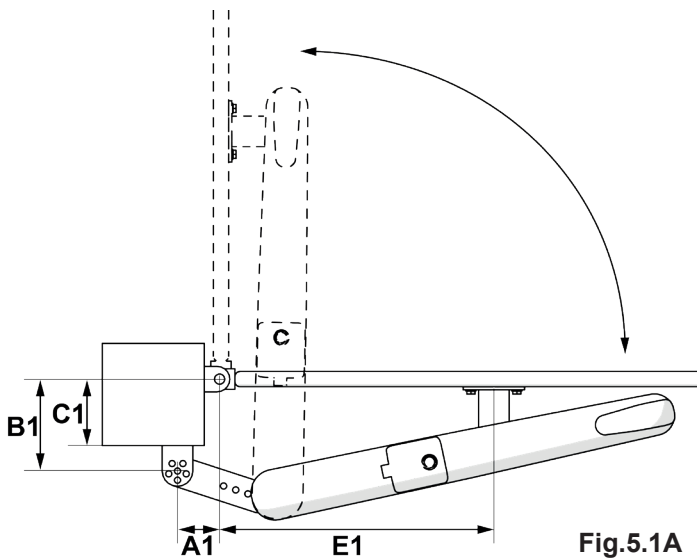


Fig.5.1A

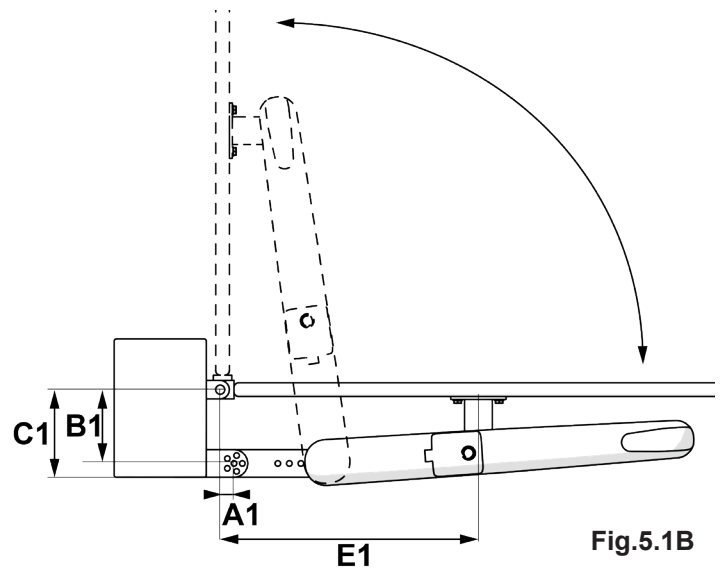
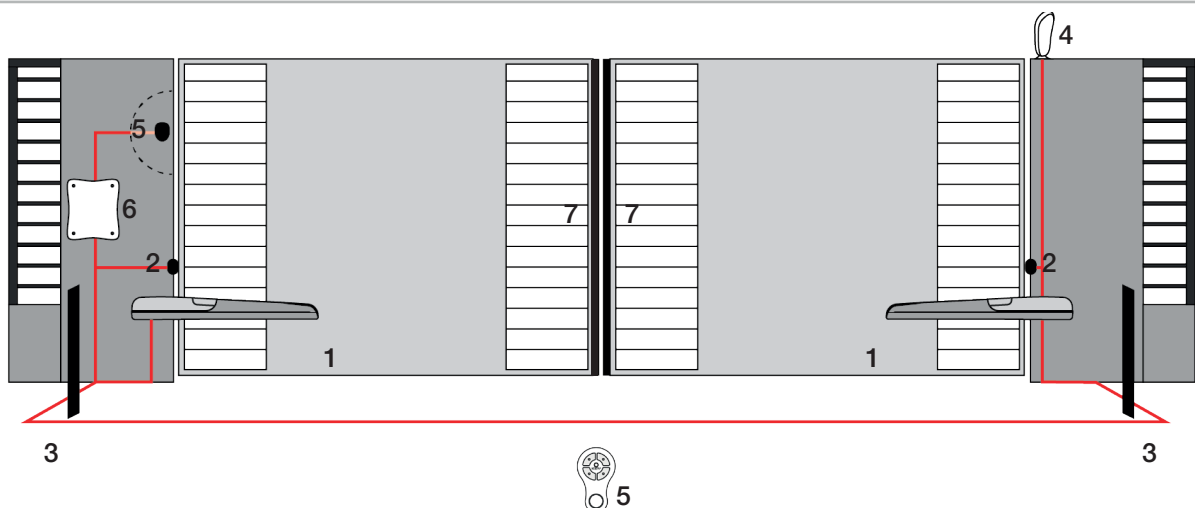


Fig.5.1B

Fig. 6 IT - Installazione tipica
EN - Typical Installation
DE - Typische Installation
ES - Instalación típica

FR - Installation type
PT - Instalação típica
PL - Typowy sposób instalacji



6 - IMAGES

Fig. 7 IT - Taglio staffa posteriore
 EN - Cutting the rear bracket
 DE - Schneiden des hinteren Bügels
 ES - Corte estribo posterior

FR - Coupe du chevron arrière
 PT - Tamanho suporte posterior
 PL - Przecięcie obejm tylnych

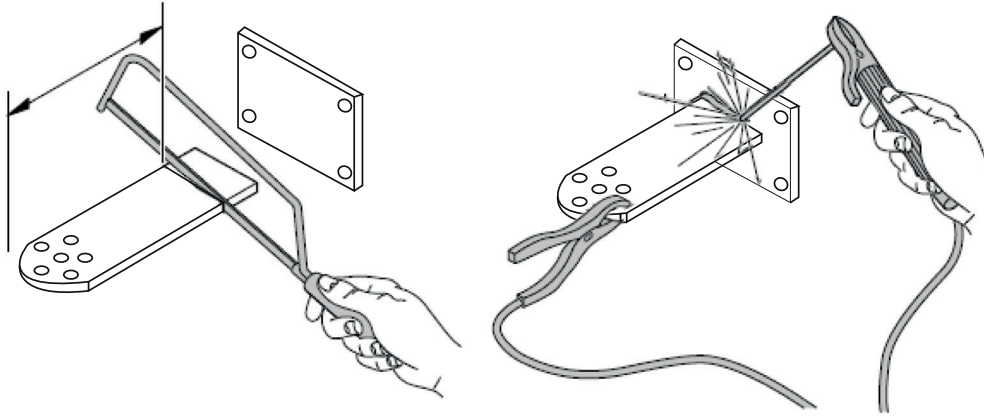


Fig. 8 IT - Fissaggio staffa anteriore
 EN - Attaching the front bracket
 DE - Befestigung des vorderen Bügels
 ES - Fijación del estribo anterior

FR - Fixation du chevron avant
 PT - Fixação suporte anterior
 PL - Mocowanie obejm przednich

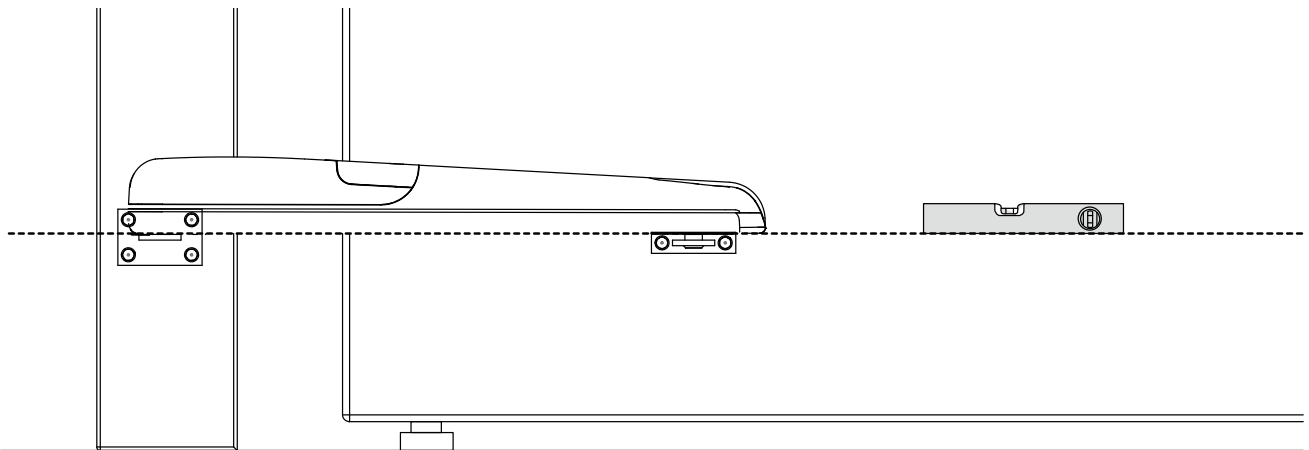
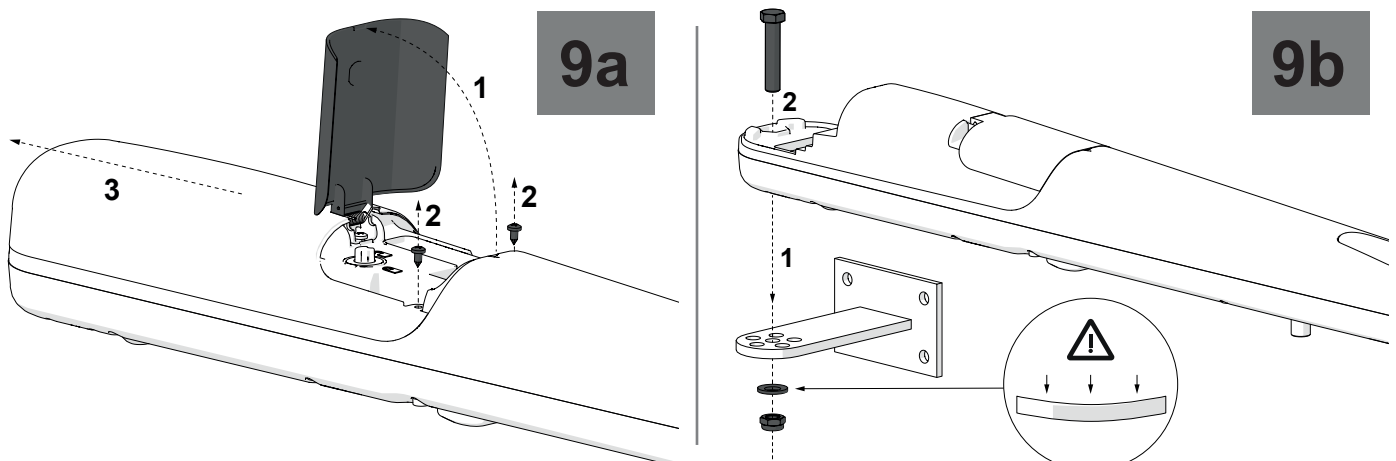


Fig. 9 IT - Fissaggio motoriduttore e staffa posteriore
 EN - Securing the gear motor and rear bracket
 DE - Befestigung des Getriebemotors und des hinteren Bügels
 ES - Fijación motorreductor y estribo posterior

FR - Fixation du motoréducteur et du chevron arrière
 PT - Fixação motorreductor e suporte posterior
 PL - Mocowanie motoreduktora i obejm tylnych



6 - IMAGES

Fig. 10 IT - Fissaggio motoriduttore e staffa anteriore
 EN - Securing the gear motor and rear bracket
 DE - Befestigung des Getriebemotors und des vorderen Bügels
 ES - Fijación motorreductor y estribo posterior

FR - Fixation du motoréducteur et du chevron avant
 PT - Fixação motorreductor e suporte posterior
 PL - Mocowanie motoreduktora i obejmy przedniej

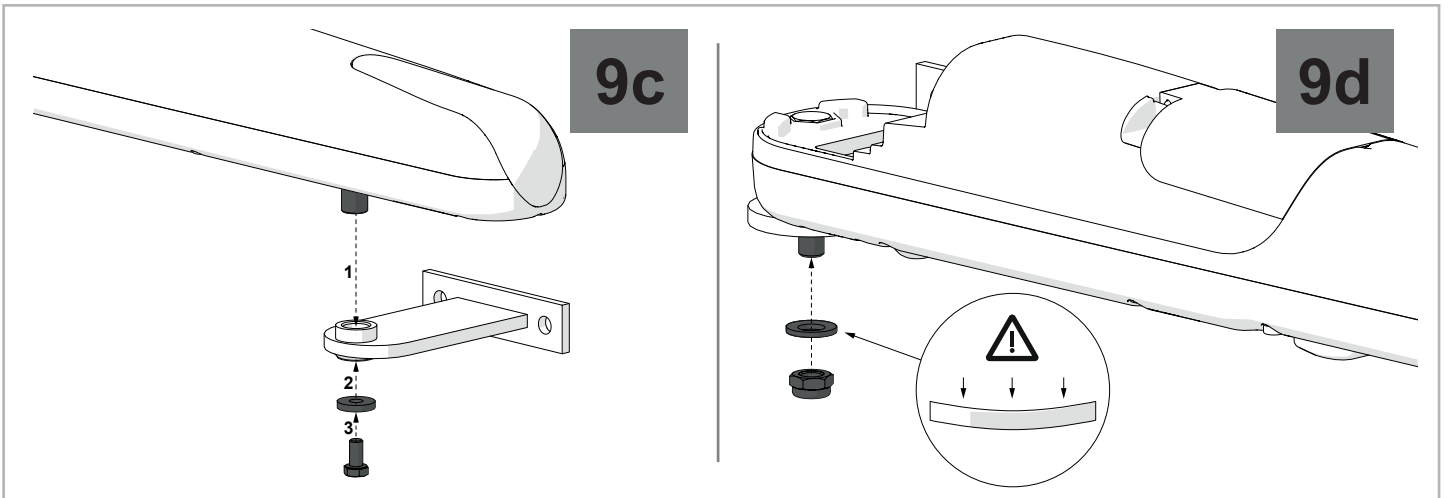


Fig. 11 IT - Sblocco del motoriduttore
 EN - Gearmotor release
 DE - Entriegeln des Getriebemotors
 ES - Desbloqueo del motorreductor

FR - Débloccage du motoréducteur
 PT - Desbloqueio do motorreductor
 PL - Odblokowanie motoreduktora

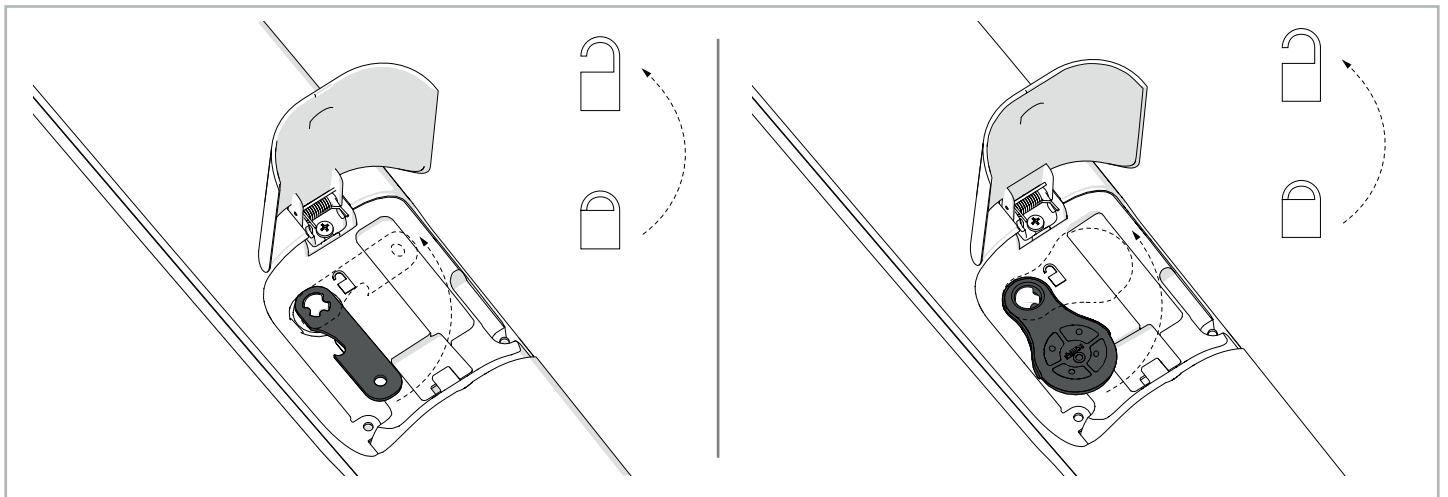
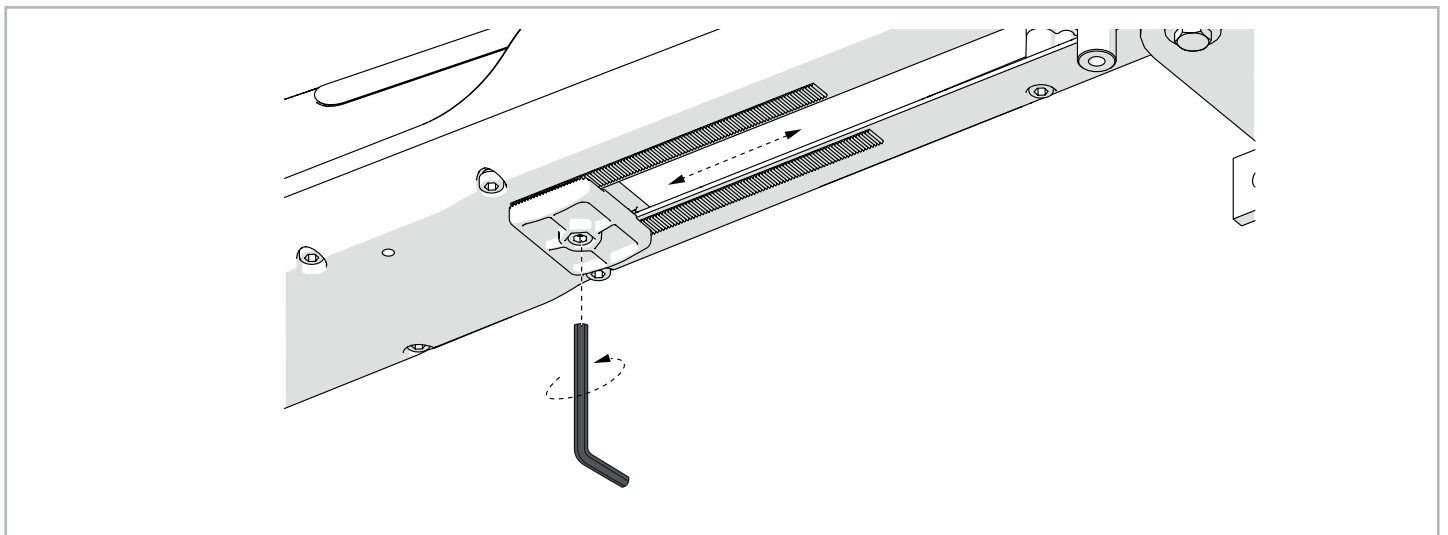


Fig. 12 IT - Regolazione fine corsa meccanico
 EN - Setting of the mechanical limit switch
 DE - Einstellen des mechanischen Endanschlags
 ES - Regulación final de carrera mecánico

FR - Réglage de la butée mécanique
 PT - Regulagem fim de curso mecânico
 PL - Regulacja ogranicznika mechanicznego



6 - IMAGES

Fig. 13-14 IT - Connessioni elettriche
 EN - Power connections
 DE - Elektrische Anschlüsse
 ES - Conexiones eléctricas

FR - Branchements électriques
 PT - Conexões eléctricas
 PL - Połączenia elektryczne

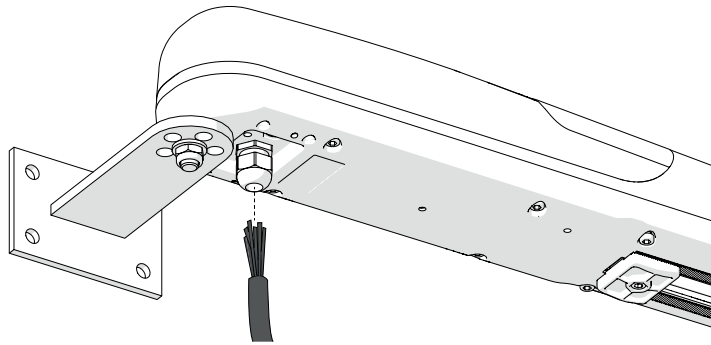


Fig. 13

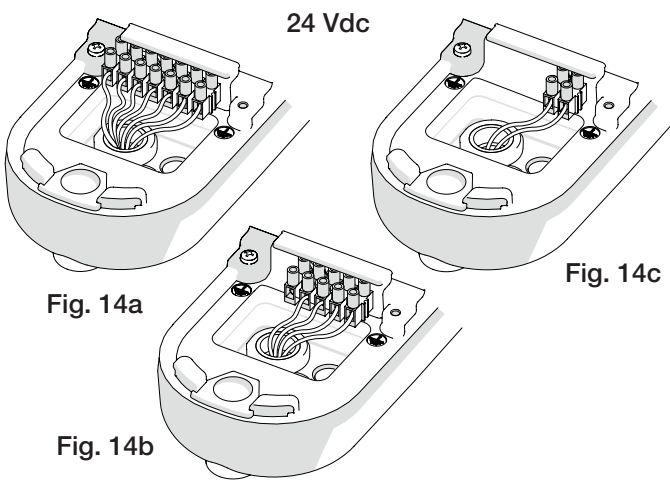


Fig. 14a

Fig. 14c

Fig. 14b

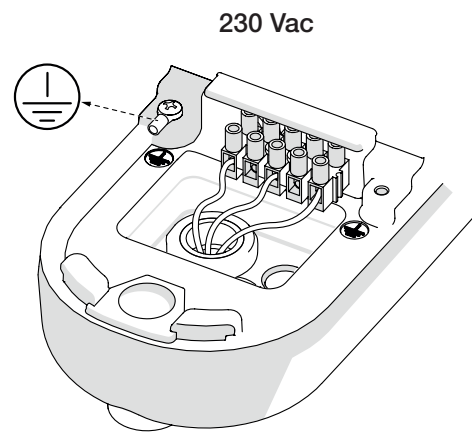


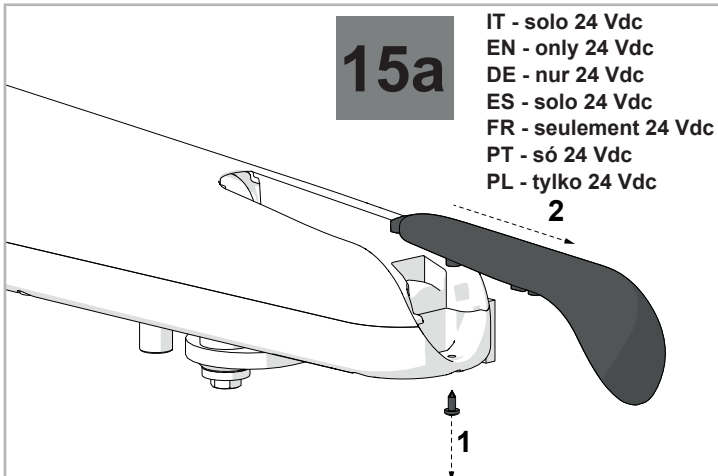
Fig. 14d

RAY4024E Fig. 14a			RAY2524 Fig. 14b			RAY2224 Fig. 14c	
V+ Ø	ENC Ø	NEG Ø	Ø	COM Ø	LED Ø	M+ Ø	M- Ø
ENCODER	LED	MOTOR	LED	MOTOR	MOTOR		

RAY40 - RAY40L Fig. 14d		
L2 Ø	Ø	L1 Ø
Ø		COM Ø
MOTOR		

Fig. 15 IT - Sostituzione led
 EN - Replacement of the leds
 DE - Auswechseln der Led
 ES - Sustitución de las luces led

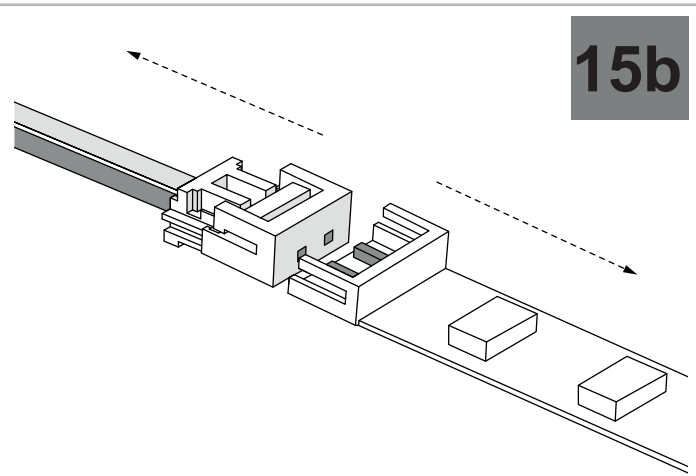
FR - Remplacement des DEL
 PT - Substituição led
 PL - Wymiana diod led



15a

IT - solo 24 Vdc
 EN - only 24 Vdc
 DE - nur 24 Vdc
 ES - solo 24 Vdc
 FR - seulement 24 Vdc
 PT - só 24 Vdc
 PL - tylko 24 Vdc

2



15b

DICHIARAZIONE DI INCORPORAZIONE DI QUASI-MACCHINA **DECLARATION OF INCORPORATION OF PARTLY COMPLETED MACHINERY**

Il sottoscritto Nicola Michelin, Amministratore Delegato dell'azienda
The undersigned Nicola Michelin, General Manager of the company

Key Automation S.r.l., Via Meucci, 23 - 30027 San Donà di Piave (VE) – ITALIA

dichiara che il prodotto tipo:
declares that the product type:

RAY

Motoriduttore elettromeccanico a pistone per cancelli battenti
Electromechanical piston for swing gates

Models:
Models:

RAY2524, RAY2224, RAY4024E, RAY4224E, RAY3024F, RAY4024ER, RAY40, RAY40L

E' conforme a quanto previsto dalle seguenti direttive comunitarie:
Is in conformity with the following community (EC) regulations:

Direttiva macchine / *Machinery Directive 2006/42/EC*
Direttiva compatibilità elettromagnetica / *EMC Directive 2014/30/EU*
Direttiva bassa tensione / *Low voltage Directive 2014/35/EU*
Direttiva radiofrequenza / *RED Directive 2014/53/EU*
Direttiva RoHS / *RoHS Directive 2011/65/UE*

Secondo quanto previsto dalle seguenti norme armonizzate:
In accordance with the following harmonized standards regulations:

ETSI EN 301489-3:2013, ETSI EN 301489-1:2011
EN 60950-1:2006 + A11:2009 + A1:2010 + A12:2011 + A2:2013
EN 61000-3-2:2014, EN 61000-3-3:2013
EN 61000-6-2:2005, EN 61000-6-3:2007
EN 60335-1:2012 + A1 + A11; EN 60335-2-103:2015
EN 55014-1:2006 + A1 + A2; EN 55014-2:2015
EN 62233:2008

Dichiara che la documentazione tecnica pertinente al prodotto è stata redatta conformemente a quanto previsto dalla direttiva 2006/42/CE Allegato VII parte B e verrà fornita a fronte di una richiesta adeguatamente motivata dalle autorità nazionali.

Declares that the technical documentation is compiled in accordance with the directive 2006/42/EC Annex VII part B and will be transmitted in response to a reasoned request by the national authorities.

Dichiara altresì che non è consentita la messa in servizio del prodotto finché la macchina, in cui il prodotto è incorporato, non sia stata dichiarata conforme alla direttiva 2006/42/CE.

He also declares that is not allowed to use the above mentioned product until the machine, in which this product is incorporated, has been identified and declared in conformity with the regulation 2006/42/EC.

San Donà di Piave (VE), 28/02/2024

Amministratore Delegato
General Manager
Nicola Michelin



Key Automation S.r.l.
Via Meucci, 23
30027 San Donà di Piave (VE)
P.IVA 03627650264 C.F. 03627650264
info@keyautomation.it

Capitale sociale 154.000,00 i.v.
Reg. Imprese di Venezia 03627650264
REA VE 326953
www.keyautomation.com



Organizzazione con sistema di gestione certificato
ISO 9001

Key Automation S.r.l.

Via Meucci 23 - 30027 San Donà di Piave (VE)

T. +39 0421 307456 - info@keyautomation.it

www.keyautomation.com

Instruction version

580ISRAY REV13